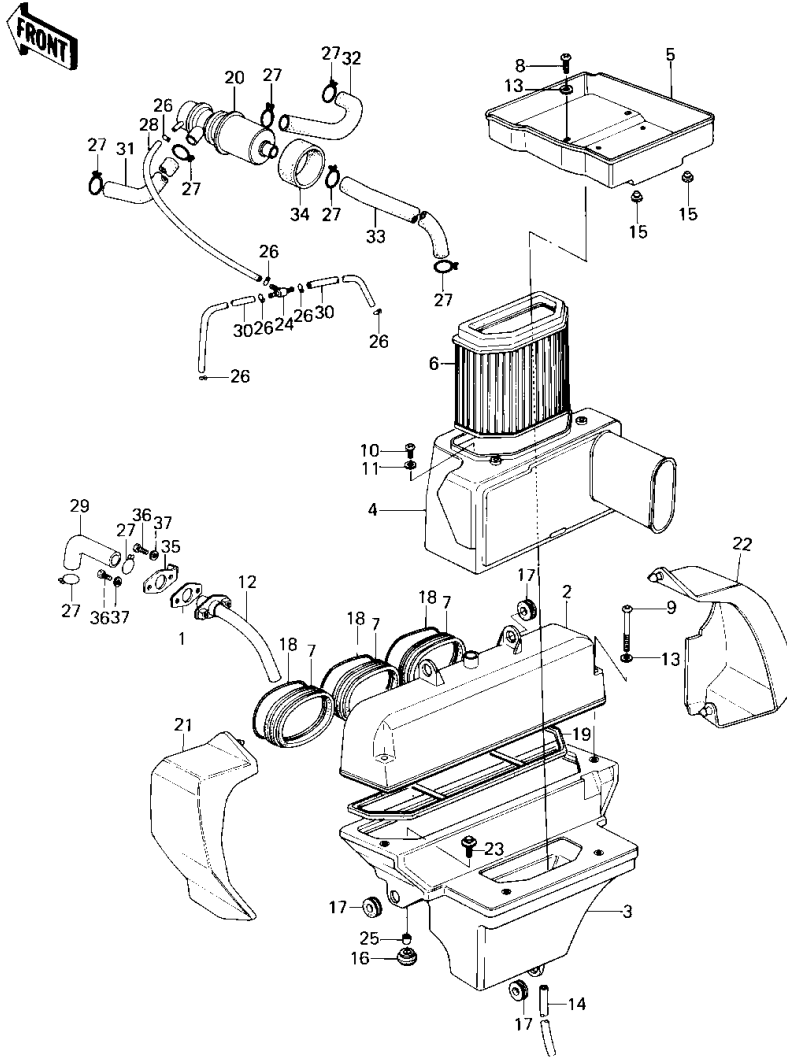


KZ1300-A3 / AIR CLEANER



Illustrations (c) 1966-2003 Kawasaki Motors Corp., U.S.A. All rights reserved.

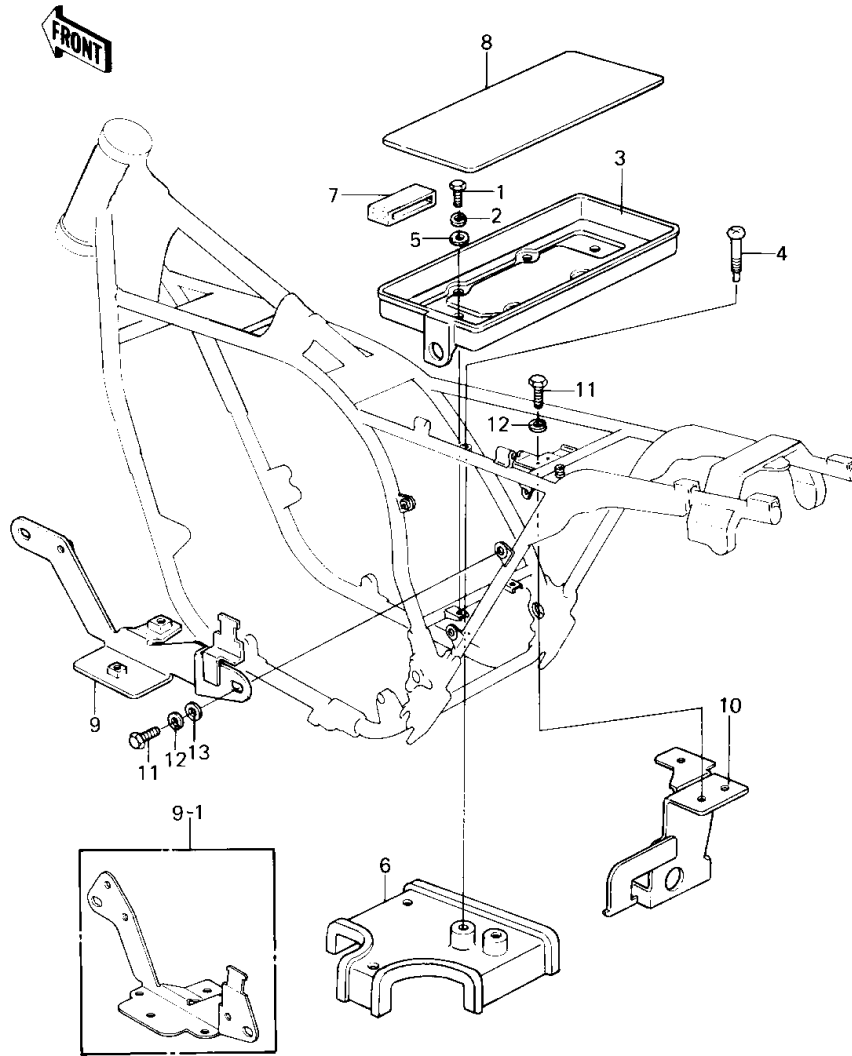
Illustration (c) 1966-2009 Kawasaki Motors Corp., U.S.A. All rights reserved

Part List

KZ1300-A3 / AIR CLEANER

REF NUMBER	PART NUMBER	DESCRIPTION	QUANTITY	US	CA	CN	REMARKS
1	11009-1097	GASKET,BREATHER PIPE	1	X		X	
2	11011-1033	11011-1098 (Canada)	1			X	
3	11011-1022	CASE,AIR CLEANER LOWR	1	X		X	
4	11011-1023	CASE,AIR CLEANER,REAR	1	X		X	
5	11012-1062	CAP,AIR CLEANER	1	X		X	
6	11013-1014	ELEMENT,AIR CLNR	1	X		X	
7	14073-1015	DUCT,AIR CLEANER	3	X		X	
8	220B0620	SCREW PAN HEAD 6X20	2	X		X	
9	220B0655	SCREW PAN HEAD 6X55	2	X		X	
10	220B0612	SCREW PAN HEAD 6X12	2	X		X	
11	410B0600	WASHER PLAIN 6MM	2	X		X	
12	32032-1199	PIPE,BREATHER	1	X		X	
13	411B0600	WASHER PLAIN 6MM	4	X		X	
14	700Q06200	TUBE, CLEANER DRAIN, ACTUAL L = 150 M/M	1	X		X	KZ1300-A1/A2, KZ1300-A3
15	92074-028	PLUG,RUBBER	2	X		X	
16	92075-1124	DAMPER,AIR CLEANER	2	X		X	
17	92075-1126	DAMPER,CLEANER COVER	3	X		X	
18	92081-1150	SPRING,CLEANER DUCT	3	X		X	
19	92093-1025	SEAL,CLEANER LWR CASE	1	X		X	
20	16126-1015	VALVE ASSY,AIR SWITNG	1	X			
21	36002-5499	COVER-SIDE-SUB,AIR CL	1	X		X	KZ1300A1/A2, KZ1300-A3
22	36002-5499	COVER-SIDE-SUB,AIR CL	1	X		X	KZ1300-A1/A2, KZ1300-A3
23	92001-1140	BOLT,6X25,W/WASHER	2	X		X	
24	92005-1017	FITTING,TUBE	1	X			
25	92027-120	COLLAR 6.8X10X10.5	2	X		X	
26	92037-072	CLAMP-PIPE	6	X			
27	92037-213	CLAMP,BREATHER TUBE	8	X			
27	92037-213	CLAMP,BREATHER TUBE	2			X	
28	92059-1162	TUBE,VACUUM,LONG	1	X			
29	92059-1053	TUBE,BREATHER PIPE	1	X		X	
30	92059-1058	TUBE,4X5X100,VACUUM	2	X			
31	92059-1076	TUBE,SWITCH VALVE,L.H	1	X			
32	92059-1077	TUBE,SWITCH VALVE,R.H	1	X			
33	92059-1078	TUBE,SWITH VALVE,CLNR	1	X			
34	92075-1195	DAMPER,AIR SWITCHNG,V	1	X			
35	11034-1561	BRACKET,FUEL VALVE	1	X		X	
36	112G0616	BOLT-UPSET,6X16	2	X		X	
37	461F0600	WASHER SPRING 6MM	2	X		X	

KZ1300-A3 / BATTERY CASE/ELECTRO BRACKET



Illustrations (c) 1966-2003 Kawasaki Motors Corp., U.S.A. All rights reserved.

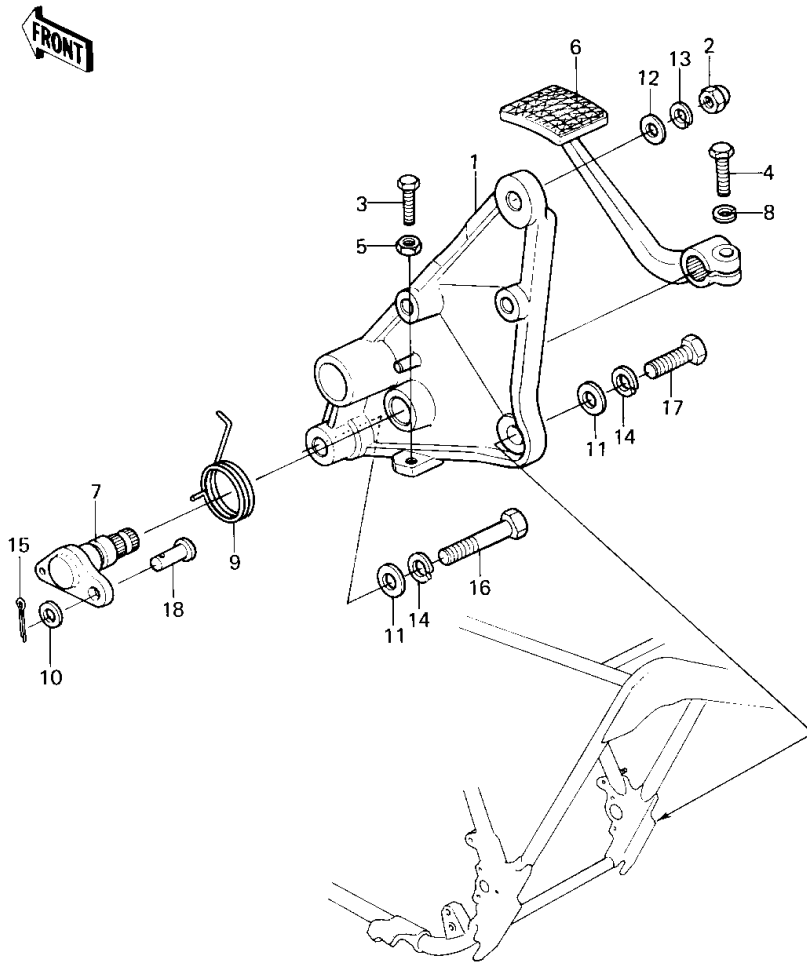
Illustration (c) 1966-2009 Kawasaki Motors Corp., U.S.A. All rights reserved

Part List

KZ1300-A3 / BATTERY CASE/ELECTRO BRACKET

REF NUMBER	PART NUMBER	DESCRIPTION	QUANTITY	US	CA	CN	REMARKS
1	112G0616	BOLT-UPSET,6X16	2				
2	461F0600	WASHER SPRING 6MM	2				
3	32097-1015	CASE,BATTERY	1				
4	92009-1042	SCREW,6X38	1				
5	92022-125	WASHER 6.5X20X1.6T	2				
6	92072-1021	BAND,BATTERY	1				
7	92075-1099	DAMPER,BATTERY	1				FRONT
8	92075-1105	DAMPER,BATTERY	1				UNDER
9	11034-1262	BRACKET,BASE	1				KZ1300 A1/A2, KZ1300 A1/A2
10	11034-1316	BRACKET,BASE	1				
11	112G0612	BOLT-UPSET,6X12	4				
12	461F0600	WASHER SPRING 6MM	4				
13	411B0600	WASHER PLAIN 6MM	2				
9-1	11034-1843	BRACKET,ELECTRO BASE	1				KZ1300 A3

KZ1300-A3 / BRAKE PEDAL



Illustrations (c) 1966-2003 Kawasaki
Motors Corp., U.S.A. All rights reserved.

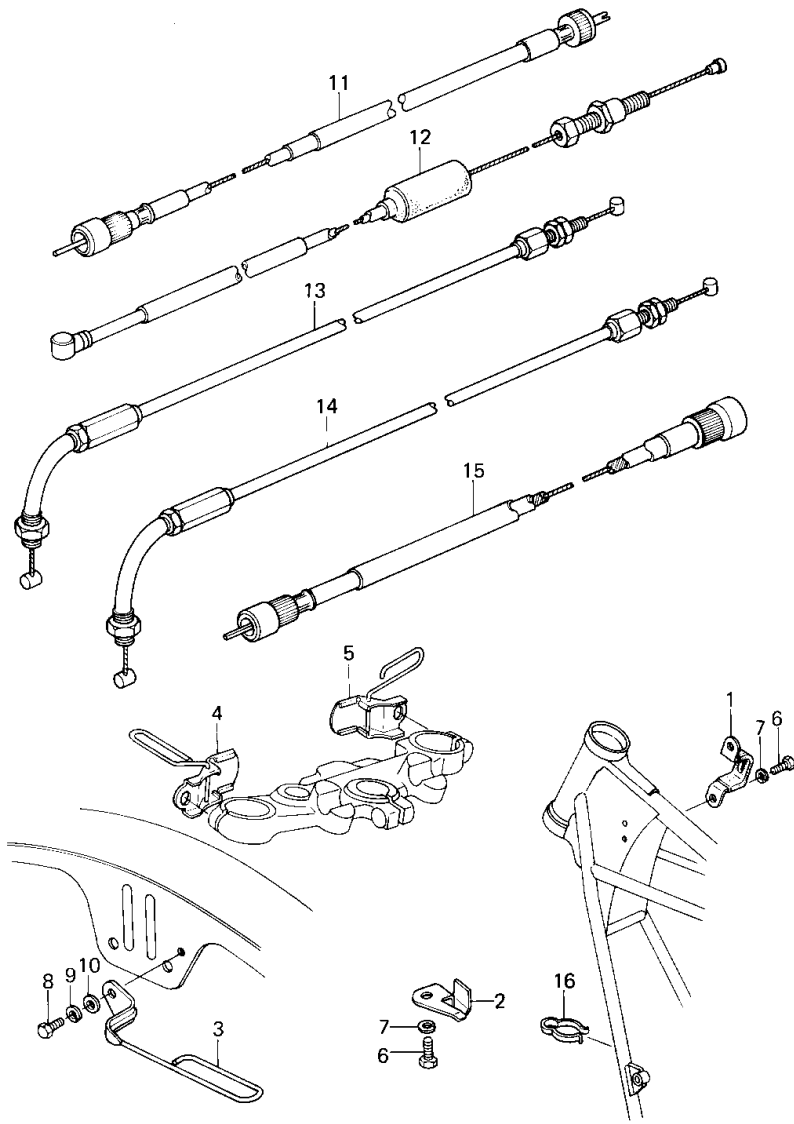
Illustration (c) 1966-2009 Kawasaki Motors Corp., U.S.A. All rights reserved

Part List

KZ1300-A3 / BRAKE PEDAL

REF NUMBER	PART NUMBER	DESCRIPTION	QUANTITY	US	CA	CN	REMARKS
1	11034-1263	BRACKET,BRAKE PEDAL	1				
2	323N0800	NUT,CAP,8M/M	1				
3	112B0622	BOLT 6X22	1				
4	115G0825	BOLT-SMALL-UPSET 8X25	1				
5	311B0600	NUT 6MM	1				
6	43001-1024	PEDAL,BRAKE	1				
7	43004-1006	SHAFT,BRAKE	1				
8	461F0800	WASHER SPRING 8MM	1				
9	92081-1088	SPRING,BRAKE PEDAL RT	1				
10	410B0600	WASHER PLAIN 6MM	1				
11	410B1000	WASHER PLAIN 10MM	2				
12	411B0800	WASHER PLAIN 8MM	1				
13	461F0800	WASHER SPRING 8MM	1				
14	461F1000	WASHER SPRING 10MM	2				
15	550D2020	PIN COTTER 2.0X20	1				
16	92007-029	BOLT-HEX HEAD,10X46	1				
17	92007-045	BOLT,HEX HEAD,10X25	1				
18	92043-107	PIN RR BRAKE CABLE	1				

KZ1300-A3 / CABLES



Illustrations (c) 1966–2003 Kawasaki Motors Corp., U.S.A. All rights reserved.

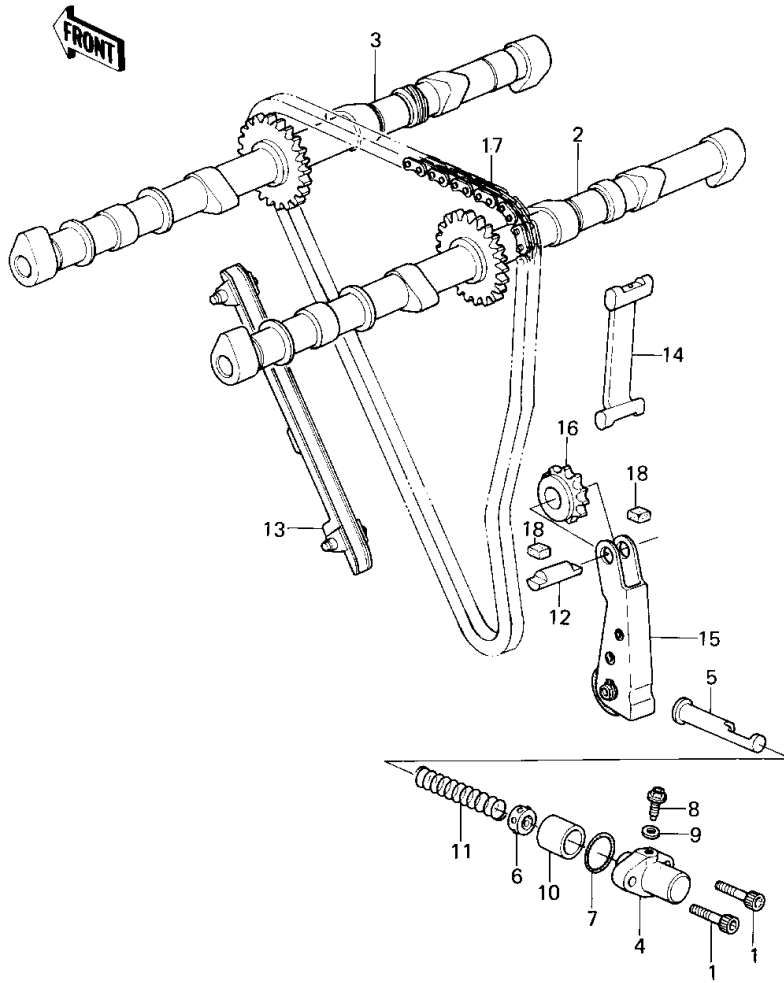
Illustration (c) 1966-2009 Kawasaki Motors Corp., U.S.A. All rights reserved

Part List

KZ1300-A3 / CABLES

REF NUMBER	PART NUMBER	DESCRIPTION	QUANTITY	US	CA	CN	REMARKS
1	13070-1012	GUIDE,TACHOMETER CABL	1				
2	13070-1013	GUIDE,CLUTCH CABLE	1				
3	13070-1015	GUIDE,SPEEDOMETER	1				
4	13070-1016	GUIDE,CLUTCH CABLE	1				
5	13070-1017	GUIDE,THROTTLE CABLE	1				
6	112G0612	BOLT-UPSET,6X12	3				
7	461F0600	WASHER SPRING 6MM	3				
8	112G0612	BOLT-UPSET,6X12	1				
9	461F0600	WASHER SPRING 6MM	1				
10	411B0600	WASHER PLAIN 6MM	1				
11	54001-1013	CABLE,SPEEDOMETER	1				
12	54011-1139	CABLE-CLUTCH	1				
13	54012-1027	CABLE,THROTTLE	1				FOR OPENING
14	54012-1028	CABLE,THROTTLE	1				FOR CLOSING
15	54018-1005	CABLE,TACHOMETER	1				
16	92037-093	CLAMP,CABLE	2				

KZ1300-A3 / CAMSHAFTS/CHAIN/TENSIONER



Illustrations (c) 1966-2003 Kawasaki Motors Corp., U.S.A. All rights reserved.

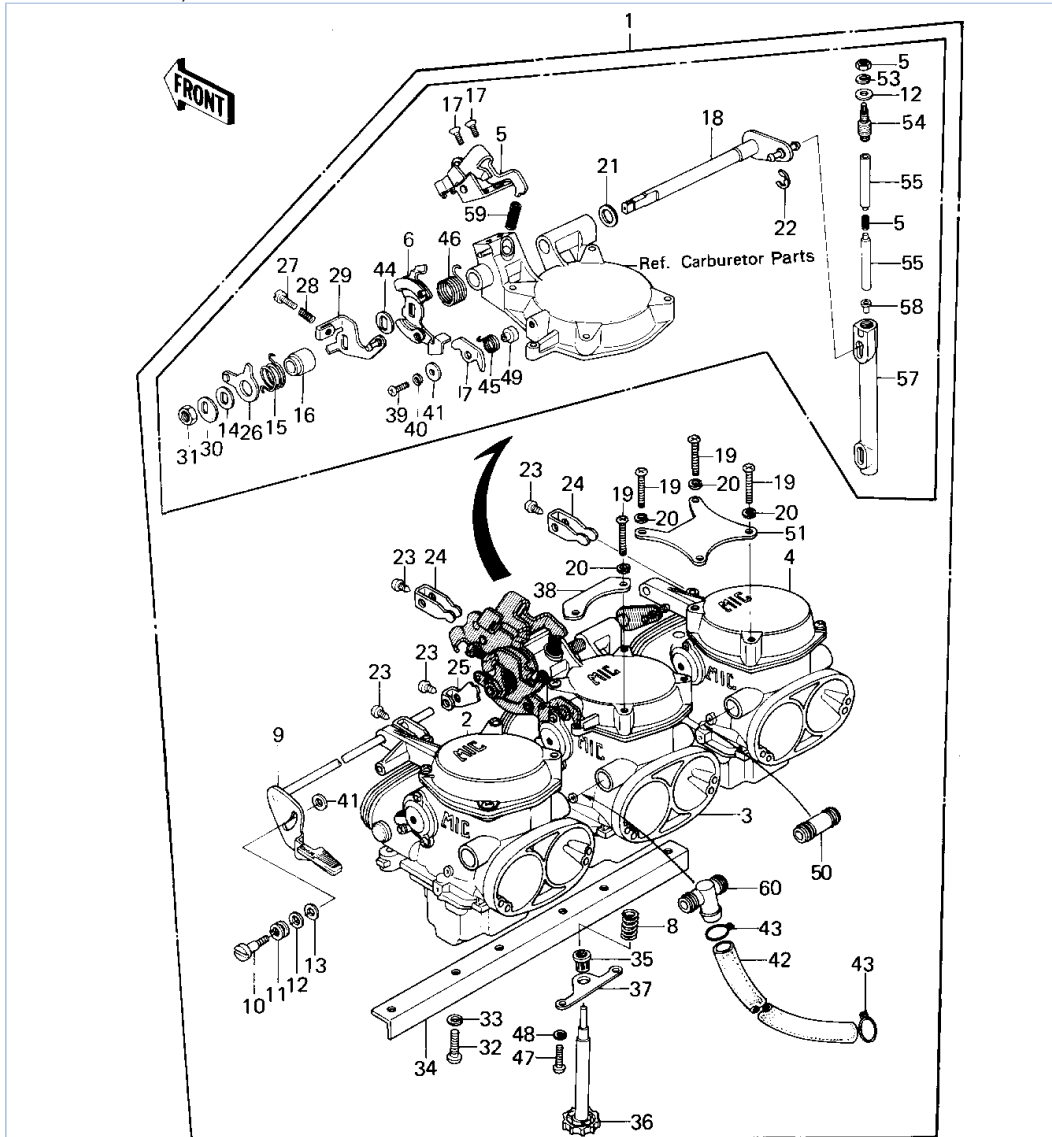
Illustration (c) 1966-2009 Kawasaki Motors Corp., U.S.A. All rights reserved

Part List

KZ1300-A3 / CAMSHAFTS/CHAIN/TENSIONER

REF NUMBER	PART NUMBER	DESCRIPTION	QUANTITY	US	CA	CN	REMARKS
1	120P0625	BOLT,6X25	2				
2	12044-1012	CAMSHAFT,VALVE,INTAKE	1				
3	12044-1013	CAMSHAFT,VALVE,EXHUST	1				
4	12049-1055	TENSIONER,CAM CHAIN	1				
5	13116-1015	ROD,PUSH	1				
6	14020-1002	RETAINER	1				
7	670B2022	"O" RING,22MM	1				
8	92001-1155	BELT,TENSIONER ADJUST	1				
9	92022-077	WASHER OIL PUMP BANJO	1				
10	92027-1273	COLLAR,TENSIONER	1				
11	92081-1105	SPRING,TENSIONER	1				
12	12052-005	SHAFT,GUIDE ROLLER	1				
13	12053-1024	GUIDE,CHAIN,CAM,FRONT	1				
14	12053-1025	GUIDE,CHAIN,CAM,REAR	1				
15	12053-1028	GUIDE,CHAIN,TENSIONER	1				
16	21053-1004	SPROCKET,CAM CHAIN	1				
17	92057-1018	CHAIN,CAMSHAFT	1				
18	92075-232	RUBBER,GUIDE ROLLAR	2				

KZ1300-A3 / CARBURETOR ASSY



Illustrations (c) 1966-2003 Kawasaki Motors Corp., U.S.A. All rights reserved.

Illustration (c) 1966-2009 Kawasaki Motors Corp., U.S.A. All rights reserved

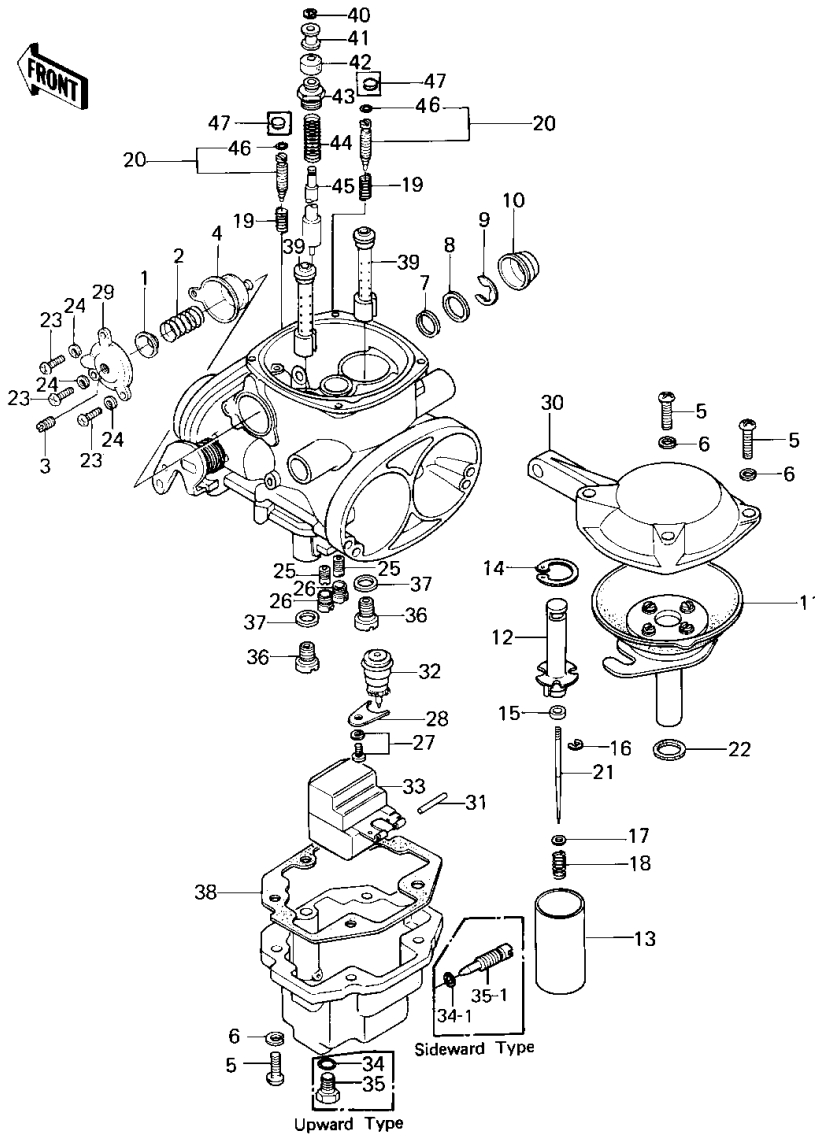
Part List

KZ1300-A3 / CARBURETOR ASSY

REF NUMBER	PART NUMBER	DESCRIPTION	QUANTITY	US	CA	CN	REMARKS
1	16001-1094	CARBURETOR ASSY	1			X	KZ1300-A1, KZ1300-A1, KZ1300-A2, KZ1300-A2, KZ1300-A1, KZ1300-A1, KZ1300-A2, KZ1300-A2
2	16001-1188	CARBURETOR,L.H.	1	X			KZ1300-A1, KZ1300-A2, KZ1300-A2, KZ1300-A2, KZ1300-A2, KZ1300-A2, KZ1300-A2, KZ1300-A1
3	16001-1189	CARBURETOR,CENTER	1	X			KZ1300-A1, KZ1300-A2, KZ1300-A2, KZ1300-A2, KZ1300-A2, KZ1300-A2, KZ1300-A2, KZ1300-A1
4	16001-1190	CARBURETOR,R.H.	1	X			KZ1300-A1, KZ1300-A2, KZ1300-A, KZ1300-A, KZ1300-A2, KZ1300-A2, KZ1300-A2, KZ1300-A1
5	39184-1002	BRACKET,THRRTL PULLY	1	X		X	
6	13236-1016	PULLY,THROTTLE CABLE	1	X		X	
7	13168-1043	LEVER,THRRTL STP SCRW	1	X		X	
8	92081-1155	SPRING,THRRTL STP SCRW	1	X		X	
9	16041-1006	SHAFT,STARTER PLUNGER	1	X		X	
10	16046-005	SCREW	1	X		X	
11	16040-009	SPRING,F	1	X		X	
12	16039-020	WASHER,PLAIN	4	X		X	
13	92022-1147	WASHER,PLAIN,DURACON	1	X		X	
14	92022-1148	WASHER,PLAIN	1	X		X	
15	92081-1157	SPRING,CHOCK LINK	1	X		X	
16	92027-1201	COLLAR,CHOCK LINK	1	X		X	
17	221B0510A	SCREW CNTSNK HD 5X10	2	X		X	
18	16041-1007	SHAFT,THROTTLE LEVER	1	X		X	
19	220B0530	SCREW PAN HEAD 5X30	8	X		X	
20	461F0600	WASHER SPRING 6MM	8	X		X	
21	92022-1149	WASHER,PLAIN,DURACON	1	X		X	
22	92037-1139	CIRCLIP,ROCKER ARM	1	X		X	
23	16046-007	SCREW,PAN HEAD,5X7	4	X		X	
24	13168-1044	LEVER,STARTER PLUNGER	3	X		X	
25	13168-1045	CAM,CHOCK LINK	1	X		X	
26	13236-1017	LEVER,CHOCK LINK	1	X		X	
27	16021-020	ADJUSTER,THROTTLE LEV	1	X		X	
28	92081-1160	SPRING,ADJUSTER SCREW	1	X		X	
29	13236-1018	LEVER,THROTTLE	1	X		X	
30	92022-1151	WASHER,LOCK	1	X		X	
31	315G0800	NUT,8 M/M	1	X		X	
32	220B0612	SCREW PAN HEAD 6X12	6	X		X	
33	461F0600	WASHER SPRING 6MM	6	X		X	
34	16065-1021	PLATE,STAY	1	X		X	
35	92028-1071	BUSHING	1	X		X	
36	16021-1013	SCREW,THROTTLE STOP	1	X		X	
37	11034-1514	BRACKET,THRRT STP SCRW	1	X		X	
38	16065-1022	STAY,CARBURETOR HEAD	1	X		X	
39	220B0416	SCREW PAN HEAD 4X16	1	X		X	
40	461F0400	WASHER SPRING 4MM	1	X		X	
41	92022-1152	WASHER,PLAIN	2	X		X	
42	92059-1123	TUBE,7.5X12.5X225	1	X		X	

43	92037-1184	CLAMP,HOSE	2	X		X	
44	92022-1153	WASHER,PLAIN	1	X		X	
45	92081-1161	SPRING,THRT STP LEVER	1	X		X	
46	92081-1162	SPRING,THRTTL PULLY	1	X		X	
47	220B0518	SCREW PAN HEAD 5X18	2	X		X	
48	461F0500	WASHER SPRING 5MM	2	X		X	
49	92022-1203	WASHER	1	X		X	
50	92005-1018	NIPPLE,FUEL	1	X		X	
51	16065-1023	STAY,CARBURETOR HEAD	1	X		X	
52	16003-013	NUT,5MM	3	X		X	
53	461F0500	WASHER SPRING 5MM	3	X		X	
54	45007-1002	SCREW	3	X		X	
55	46102-1008	PIN	6	X		X	
56	16040-026	SPRING	3	X		X	
57	16149-1006	ROD THROTTLE	3	X		X	
58	16057-002	SEAT,SPRING	3	X		X	
59	16040-022	SPRING,CABLE PULLY	1	X		X	
60	92005-1019	FITTING,FUEL HOSE	1	X		X	

KZ1300-A3 / CARBURETOR PARTS



Illustrations (c) 1966-2003 Kawasaki Motors Corp., U.S.A. All rights reserved.

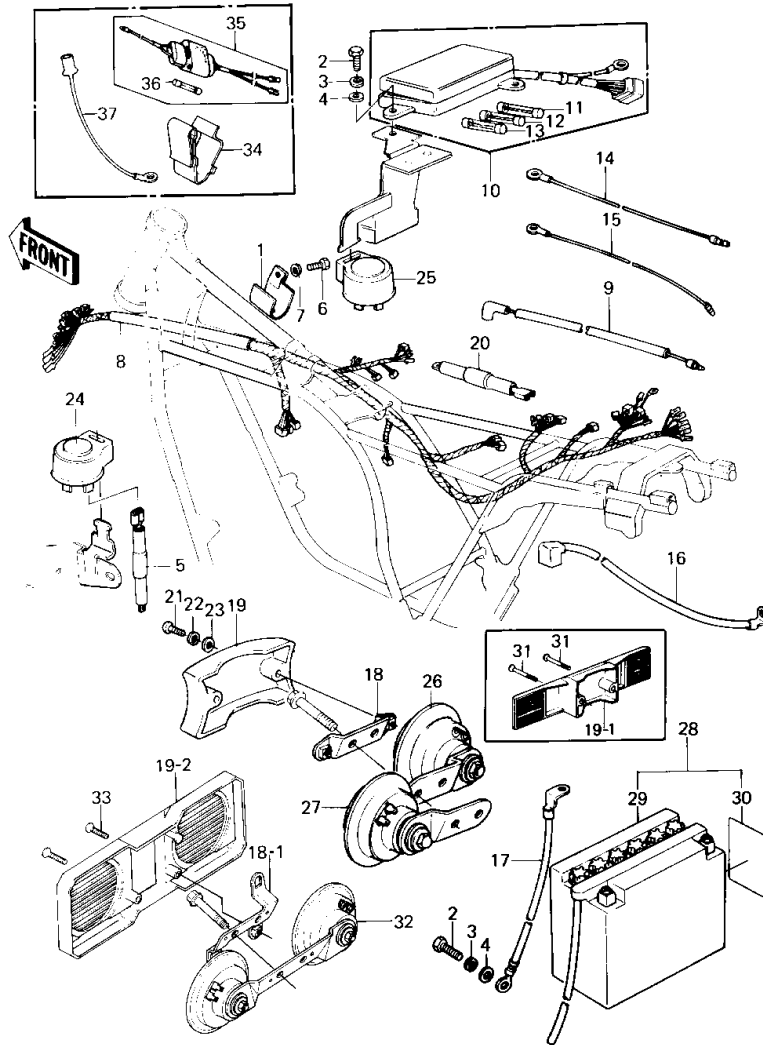
Illustration (c) 1966-2009 Kawasaki Motors Corp., U.S.A. All rights reserved

Part List

KZ1300-A3 / CARBURETOR PARTS

REF NUMBER	PART NUMBER	DESCRIPTION	QUANTITY	US	CA	CN	REMARKS
1	43027-1004	RETAINER,DPHRGM SPRNG	3	X		X	
2	92081-1156	SPRING,RICHER DPHRGM	3	X		X	
3	45007-1001	SCREW,SLOTTED	3	X		X	
4	43028-1017	DIAPHRAGM,RICHER	3	X		X	KZ1300-A1, KZ1300-A2
5	220B0516A	SCREW, PAN HEAD, 5 X 16	14	X		X	
6	461F0500	WASHER SPRING 5MM	14	X		X	
7	92093-1027	OIL SEAL	3	X		X	
8	92022-1150	WASHER,PLAIN	3	X		X	
9	92037-1140	CIRCLIP	3	X		X	
10	39031-1002	CAP,STEEL	2	X		X	
11	43028-1014	DIAPHRAGM ASSY,VACUUM	3	X		X	
12	13091-1056	HOLDER,PISTON VALVE	6	X		X	
13	16025-1029	VALVE,PISTON	6	X		X	
14	92033-1009	CIRCLIP	6	X		X	
15	92027-1115	RING,JET NEEDLE	6	X		X	
16	16008-014	CIRCLIP	6	X		X	
17	92022-1123	WASHER,JET NEEDLE	6	X		X	
18	92081-1126	SPRING,JET NEEDLE	6	X		X	
19	16022-016	SPRING,PILOT SCREW	6	X		X	
20	16014-1016	SCREW,PILOT ADJUSTING	6	X		X	
21	16009-1035	JET NEEDLE,5P2	6	X			KZ1300-A1, KZ1300-A1, KZ1300-A2, KZ1300-A2
21	16009-1038	JET NEEDLE,5P3 (Canada)	6			X	
22	92022-1155	WASHER,PLAIN,DURACON	3	X		X	
23	220B0410	SCREW PAN HEAD 4X10	9	X		X	
24	461F0400	WASHER SPRING 4MM	9	X		X	
25	92064-1024	PILOT JET,#42.5	6	X		X	
26	92066-1044	SCREW,HOLE PLUG	6	X		X	
27	16033-014	SCREW-CLAMP	3	X		X	
28	13169-1190	PLATE, LOCK	3	X		X	
29	14025-1158	COVER,COASTING RICHER	3	X		X	
30	14025-1159	TOP,MXNG CHAMBER,L.H.	1	X		X	
31	16032-003	FLOAT PIN	3	X		X	
32	16030-1005	FLOAT VALVE ASSY	3	X		X	
33	16031-1006	FLOAT	3	X		X	
34	16038-016	"O" RING,MAIN JET COV	3	X		X	
35	92066-1045	BOLT,HEX HEAD,DRAIN	3	X		X	
36	92063-1038	MAIN JET,#110R	6	X		X	RACING USE ONLY, RACING USE ONLY, RACING USE ONLY
37	16034-001	WASHER MAIN JET	6	X		X	
38	11009-1148	GASKET,FLOAT CHAMBER	3	X		X	
39	16017-1038	NEEDLE JET,Y-8	6	X		X	
40	16076-003	CIRCLIP	3	X		X	
41	16073-014	COLLAR	3	X		X	
42	16036-017	RUBBER CAP,STARTER PL	3	X		X	
43	16012-1005	CAP,STARTER PLUNGER	3	X		X	
44	92081-1163	SPRING,STARTER PLUNGR	3	X		X	
45	16016-1005	PLUNGER,STARTER	3	X		X	
46	16038-022	"O" RING	6	X		X	
47	92066-1051	PLUG,PILOT SCREW	6	X			KZ1300-A2, KZ1300-A2
34-1	92055-044	"O" RING	3	X		X	
35-1	92066-1064	SCREW,DRAIN	3	X		X	

KZ1300-A3 / CHASSIS ELECTRICAL EQUIPMENT



Illustrations (c) 1966–2003 Kawasaki Motors Corp., U.S.A. All rights reserved.

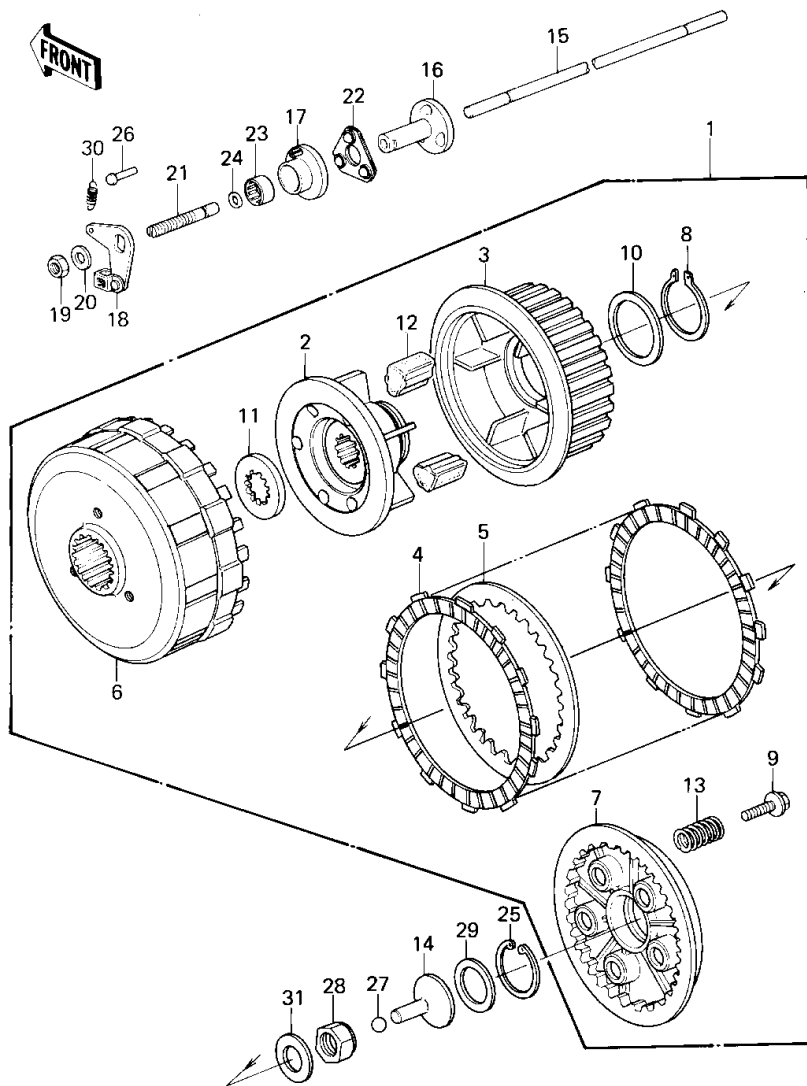
Illustration (c) 1966-2009 Kawasaki Motors Corp., U.S.A. All rights reserved

Part List

KZ1300-A3 / CHASSIS ELECTRICAL EQUIPMENT

REF NUMBER	PART NUMBER	DESCRIPTION	QUANTITY	US	CA	CN	REMARKS
1	13070-1022	GUIDE,MAIN HARNESS	1				
2	112G0612	BOLT-UPSET,6X12	2				
3	461F0600	WASHER SPRING 6MM	2				
4	411B0600	WASHER PLAIN 6MM	2				
5	21066-026	REGULATOR	1				
6	112G0610	BOLT,6X10	1				
7	461F0600	WASHER SPRING 6MM	1				
8	26001-1063	WIRING HARNESS,MAIN	1				F.NO.00101~001057, F.NO.006201~010018, KZ1300-A3, F.NO.010019~010993, F.NO. 001058-006200
9	26001-1064	WIRING HARNESS,SUB	1				
10	26004-1009	FUSE ASSY	1				
11	26006-1004	FUSE,2A,L=25M/M	2				L 25 M/M
12	26006-003	FUSE 10A	4				L 25 M/M
13	26006-1005	FUSE,30A,L=25M/M	2				L 25 M/M
14	26011-063	LEAD WIRE,SIGNAL LAMP	2				FRONT, FRONT
15	26011-095	WIRE,LEAD	2				REAR
16	26011-1037	WIRE,STARTER LEAD	1				
17	26011-1038	WIRE,BATTERY GROUND	1				
18	11034-1504	BRACKET,HARN FITTING	1				KZ1300-A1/A2
19	14025-1156	COVER	1				KZ1300-A1
20	21066-026	REGULATOR	1				
21	220B0412	SCREW-PAN-CRSOSS,4X12	2				KZ1300A1
22	461F0400	WASHER SPRING 4MM	2				KZ1300A1
23	410B0400	WASHER PLAIN 4MM	2				KZ1300A1
24	27002-011	RELAY-TURN SIGNAL	1				
25	27002-016	RELAY,TURN SIGNAL	1				
26	27003-1009	HORN	1				KZ1300A1-A2
27	27003-1012	HORN	1				KZ1300A1-A2
28	26012-1012	YUA BAT Y50-N18L-A2	1				
29	26012-1019	26012-1012 (Canada)	1				USE FOR CANADIAN MARKET
30	56040-1036	LABEL-WARNING,BATTERY	1				
31	92009-1089	SCREW,CNTSNK 4X35	2				KZ1300A2
32	27003-1037	HORN	1				KZ1300 A3
33	221C0430	SCREW-CSK	2				KZ1300 A3
34	13091-1102	HOLDER,ACCESSORY FUSE	1				
35	26004-1014	FUSE-ASSY,ACCESSORY	1				
36	26006-1002	FUSE,10A,L=30M/M	3				
37	26011-1100	WIRE-LEAD,ACCESSORY G	1				
18-1	11036-1028	BRACKET,HORN COVER	1				KZ1300-A3
19-1	14025-1200	COVER,HORN	1				KZ1300-A2
19-2	14025-1310	COVER,HORN	1				KZ1300-A3

KZ1300-A3 / CLUTCH



Illustrations (c) 1966-2003 Kawasaki Motors Corp., U.S.A. All rights reserved.

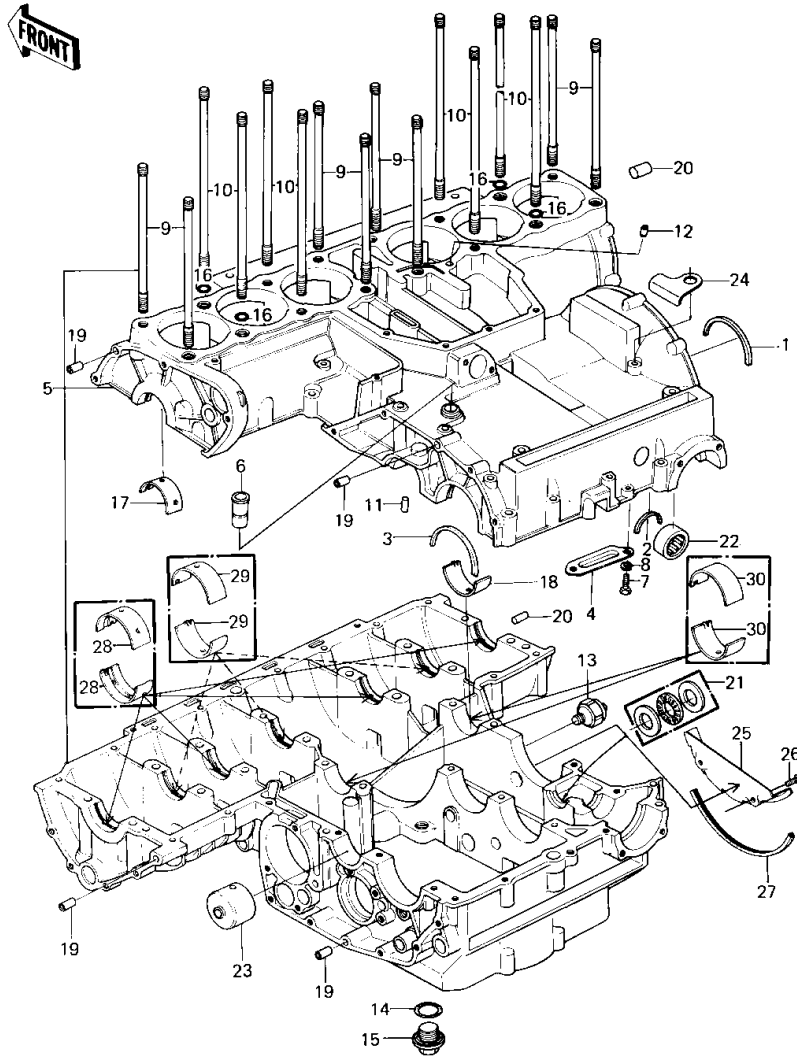
Illustration (c) 1966-2009 Kawasaki Motors Corp., U.S.A. All rights reserved

Part List

KZ1300-A3 / CLUTCH

REF NUMBER	PART NUMBER	DESCRIPTION	QUANTITY	US	CA	CN	REMARKS
1	13081-1018	CLUTCH-ASSY	1				
2	13087-1006	HUB,CLUTCH,INNER	1				
3	13087-1007	HUB,CLUTCH,OUTER	1				
4	13088-1004	PLATE,FRICITION	9				
5	13089-1003	PLATE,CLUTCH,STEEL	8				
6	13096-1007	HOUSING,CLUTCH	1				
7	13187-1002	PLATE,CLUTCH SPRING	1				
8	480J5000	CIRCLIP,50MM	1				
9	92001-1066	BOLT,CLUTCH SPR FITT	5				
10	92022-1081	WASHER,50.3X60X1.0	1				
11	92022-1082	WASHER,SPLINED	1				
12	92075-1088	DAMPER,CLUTCH	12				
13	92081-1149	SPRING,CLUTCH	5				
14	13116-022	PUSHER,CLUTCH SPRG PL	1				
15	13116-1013	ROD,PUSH,CLUTCH,8X328	1				
16	13119-1005	CAM,RELEASE,INNER	1				
17	13119-1006	CAM,RELEASE,OUTER	1				
18	13236-1008	LEVER,CLUTCH RELEASE	1				
19	318B0800	NUT 8MM	1				
20	411B0800	WASHER PLAIN 8MM	1				
21	92009-1038	SCREW,SLOTTED,8M/M	1				
22	92045-1014	BALL ASSY,CLUTCH RELE	1				
23	92046-1013	BEARING,N,TLA1412	1				
24	670B1505	"O" RING,5MM	1				
25	481J4500	CIRCLIP,45MM	1				
26	530C0420	RIVET,ROUND,4X20	1				
27	600A1200	BALL STEEL 3/8'	1				
28	92015-1054	NUT,20M/M,CLUTCH HUB	1				
29	92022-1097	WASHER,30X44.7X3.2	1				
30	92083-011	SPRING GEAR CHNG LEV	1				
31	92125-002	WASHER	1				

KZ1300-A3 / CRANKCASE



Illustrations (c) 1966-2003 Kawasaki Motors Corp., U.S.A. All rights reserved.

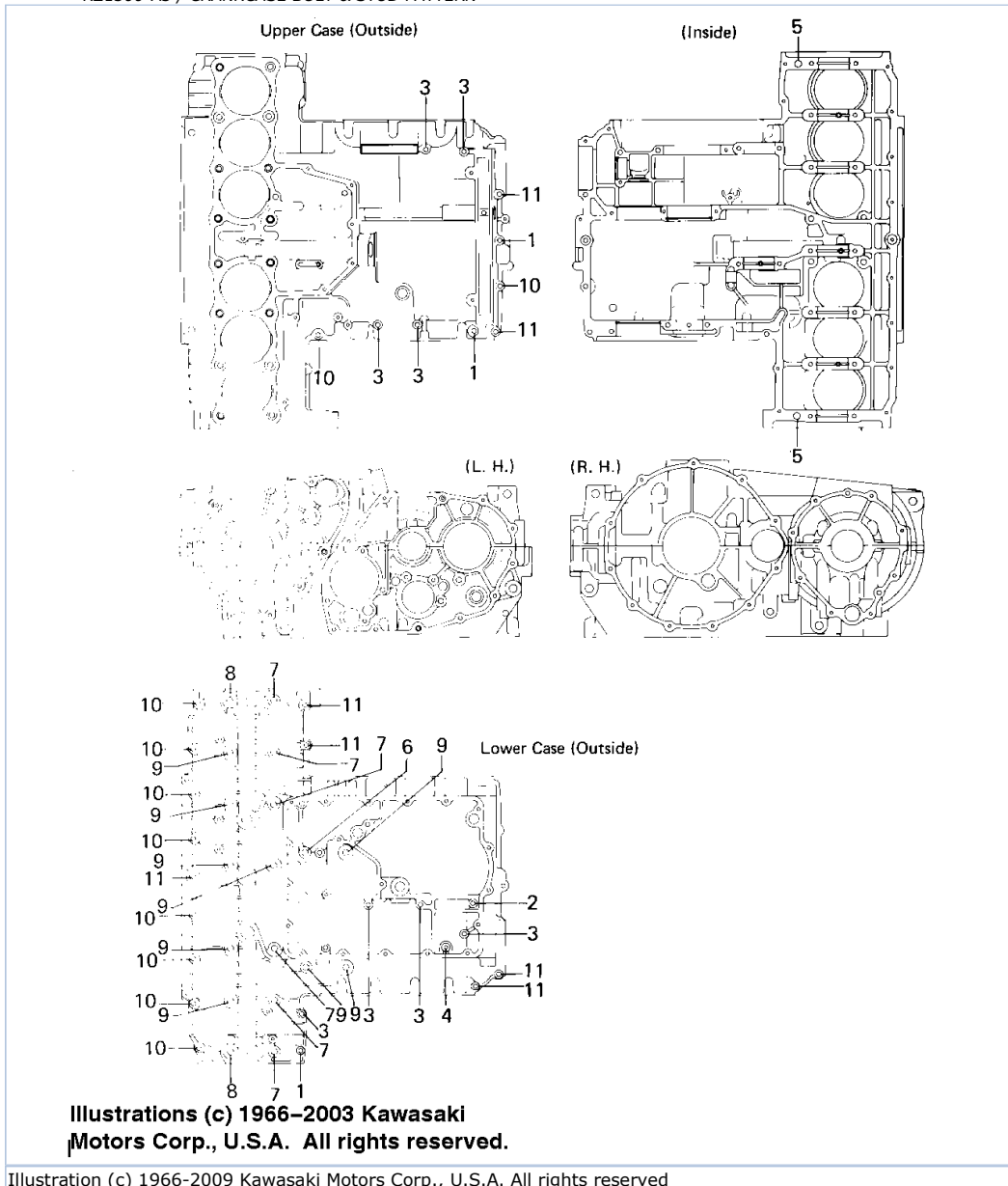
Illustration (c) 1966-2009 Kawasaki Motors Corp., U.S.A. All rights reserved

Part List

KZ1300-A3 / CRANKCASE

REF NUMBER	PART NUMBER	DESCRIPTION	QUANTITY	US	CA	CN	REMARKS
1	14013-013	RING-BEARING SET	AR				
2	14013-1002	RING,POSITION	1				
3	14013-1004	RING,POSITION	1				
4	13045-1002	RECEIVER,OIL	1				
5	14001-5058	CRANKCASE SET	1				E/NO.000101, KZ1300-A3, E/NO.011196, E/NO.010826
6	14067-006	.BREATHER JOINT	1				
7	112G0616	BOLT-UPSET,6X16	2				
8	461F0600	WASHER SPRING 6MM	2				
9	92004-062	.STUD,10X153	8				
10	92004-1019	.STUD,10X195	8				
11	92042-016	.PIN DOWEL 6MM	1				
12	92062-011	.NOZZLE,OIL BIAS	1				
13	16144-006	SWITCH ASY,OIL PRSSUR	1				
14	670B2022	"O" RING,22MM	1				
15	92001-1183	PLUG,OIL DRAIN	1				
16	670B2012	."O" RING,12MM	4				
17	92028-1105	BUSHING,MAIN JOURNAL	8				E/NO.000101-
18	92028-1108	BUSHING,MAIN JOURNAL	10				E/NO.000101-
19	92042-007	PIN-DOWEL	4				
20	92042-016	PIN DOWEL 6MM	2				
21	92046-1017	BEARING,N,NTBGW1528	1				
22	92046-1018	BEARING,N,TR-22301302	1				
23	92048-1008	RACE,DRIVE SHAFT,L.H:	1				
24	92037-1152	CLAMP,CABLE	1				E/NO.001122-
25	18020-1022	BAFFLE	1				E/NO.011196-
26	220B0610	SCREW PAN HEAD 6X10	2				E/NO.011196-
27	92093-1040	SEAL	1				E/NO.011196-
28	92028-1103	BUSHING,MAIN JOURNAL	AR				E/NO.010638- E/NO.010638- E/NO.010638-
29	92028-1106	BUSHING,MAIN JOURNAL	AR				E/NO.010638- E/NO.010638- E/NO.010638-
30	92028-1108	BUSHING,MAIN JOURNAL	4				

KZ1300-A3 / CRANKCASE BOLT & STUD PATTERN

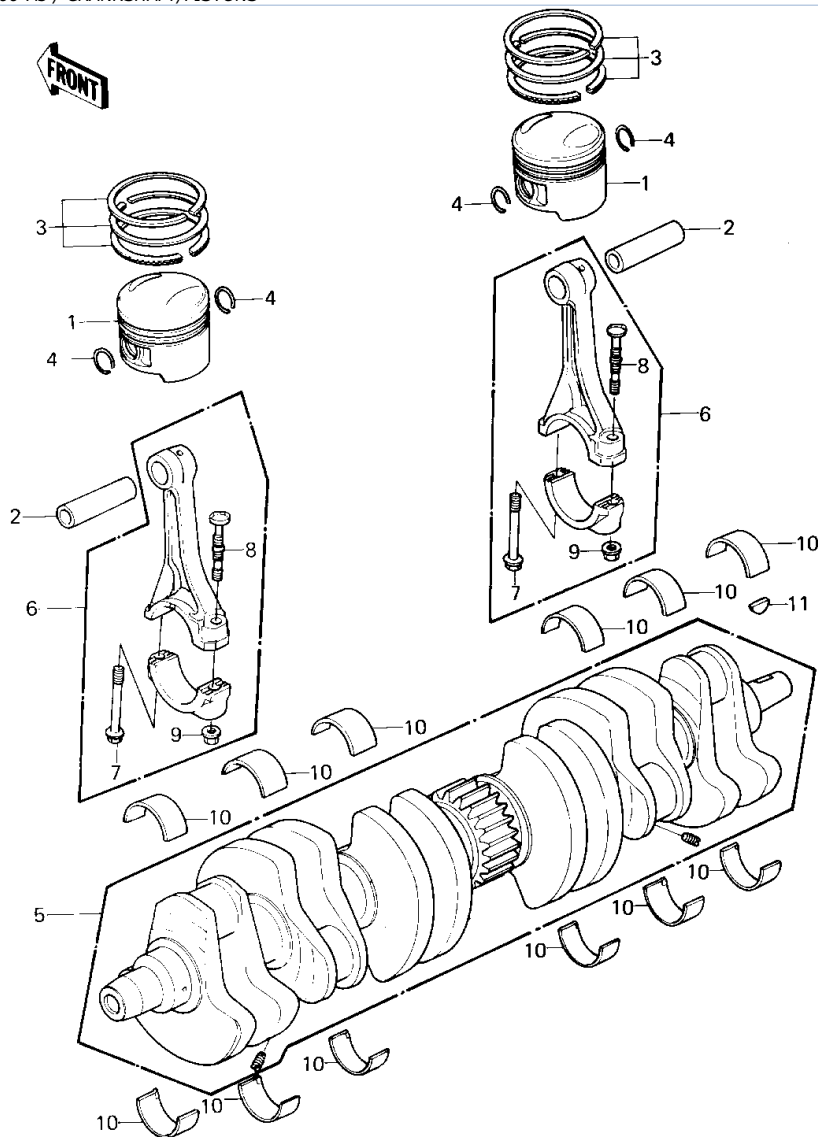


Part List

KZ1300-A3 / CRANKCASE BOLT & STUD PATTERN

REF NUMBER	PART NUMBER	DESCRIPTION	QUANTITY	US	CA	CN	REMARKS
1	130G0665	BOLT,FLANGED,6X65	3				
2	130G0685	.BOLT,FLANGED,6X85	1				
3	130G0685	BOLT,FLANGED,6X85	8				
4	92062-015	.NOZZLE	1				
5	552B1012	.PIN,DOWEL,6.5X10X12	2				
6	92001-1121	BOLT,TENSION,8X130	1				
7	92001-1185	BOLT,TENSION,8X105	6				
8	130P0895	.BOLT-FLANGED,8X95	2				
9	130P0895	BOLT-FLANGED,8X95	9				
10	92003-116	BOLT,HEX HEAD,6X38	10				
11	130G0650	BOLT-FLANGED,6X50	7				

KZ1300-A3 / CRANKSHAFT/PISTONS



Illustrations (c) 1966-2003 Kawasaki Motors Corp., U.S.A. All rights reserved.

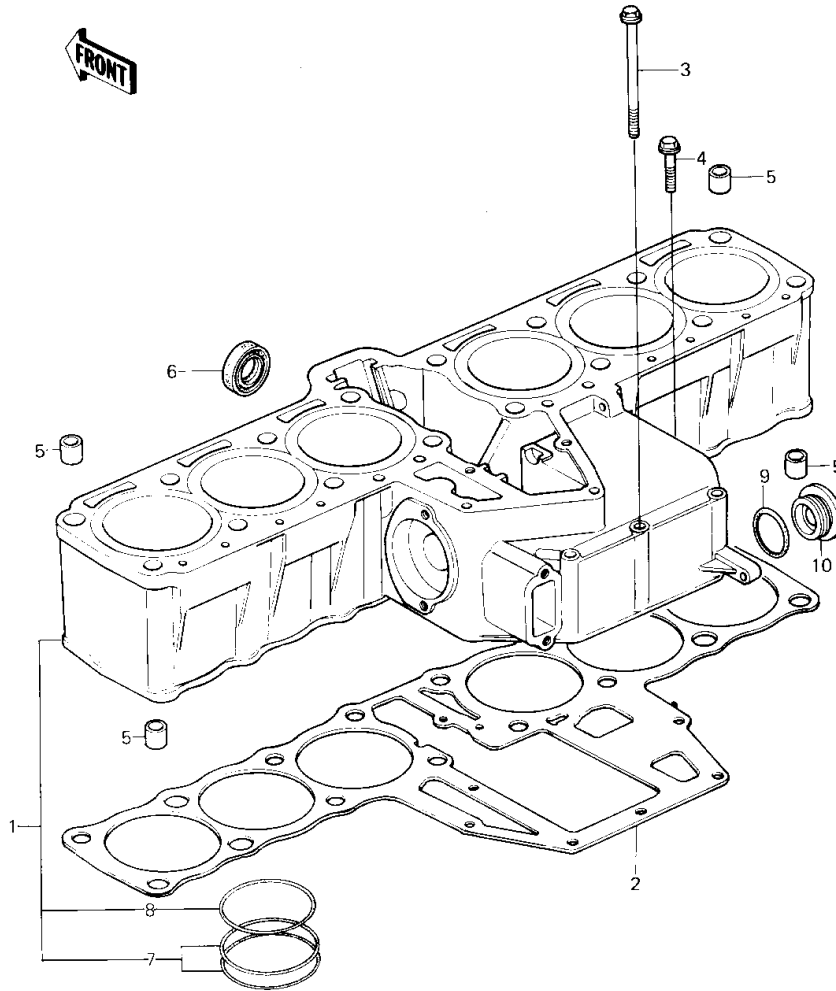
Illustration (c) 1966-2009 Kawasaki Motors Corp., U.S.A. All rights reserved

Part List

KZ1300-A3 / CRANKSHAFT/PISTONS

REF NUMBER	PART NUMBER	DESCRIPTION	QUANTITY	US	CA	CN	REMARKS
1	13001-1113	PISTON-ENGINE,STD	6				
2	13002-032	PIN-PISTON	6				
3	13008-5059	RING-SET-PISTON,STD	6				
4	92036-005	CIRCLIP PISTON PIN	12				
5	13031-5005	CRANKSHAFT-COMP SET	1				E/NO.000101~008716, E/NO.010638~012373, KZ1300-A3
6	13251-1051-JJ	ROD-ASSY-CONNECTING	6				"G" MARK, "I" MARK, "H" MARK
7	92001-1120	BOLT,CONNECTING ROD	6				
8	92001-169	BOLT	6				
9	92015-1311	NUT,FLANGED,8MM	6				
10	92028-1049	BUSHING,CONNECTNG ROD	12				GREEN MARK, BLACK MARK, BROWN MARK
11	92038-001	WOODRUFF KEY	1				

KZ1300-A3 / CYLINDER



Illustrations (c) 1966-2003 Kawasaki Motors Corp., U.S.A. All rights reserved.

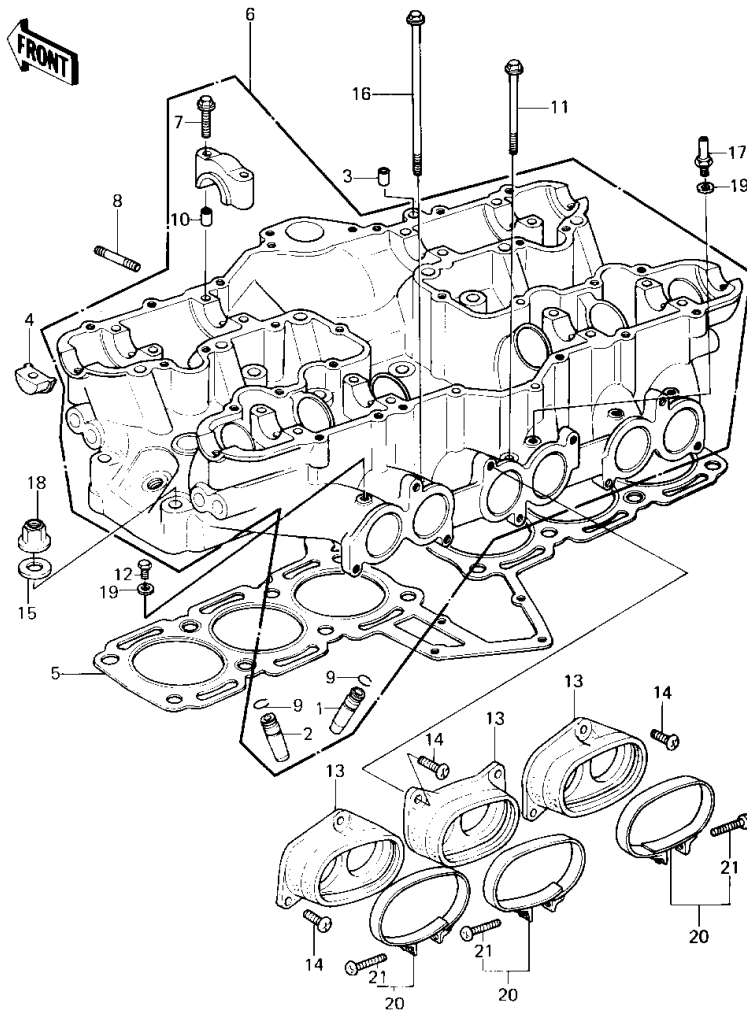
Illustration (c) 1966-2009 Kawasaki Motors Corp., U.S.A. All rights reserved

Part List

KZ1300-A3 / CYLINDER

REF NUMBER	PART NUMBER	DESCRIPTION	QUANTITY	US	CA	CN	REMARKS
1	11006-1003	CYLINDER ASSY	1				KZ1300-A1/A2, KZ1300-A3
2	11009-1101	GASKET,CYLINDER BASE	1				
3	130G0685	BOLT,FLANGED,6X85	3				
4	92003-202	BOLT	1				
5	92043-1266	PIN,11X14X12.3	4				
6	92049-1028	OIL SEAL,TC17317	1				
7	92055-1032	"O" RING,67MM	12				
8	92055-1035	"O" RING,67.5MM	6				
9	92055-091	"O" RING,RELEASE PLUG	1				KZ1300-A3
10	92067-024	PLUG,RELEASE	1				KZ1300-A3

KZ1300-A3 / CYLINDER HEAD



Illustrations (c) 1966-2003 Kawasaki Motors Corp., U.S.A. All rights reserved.

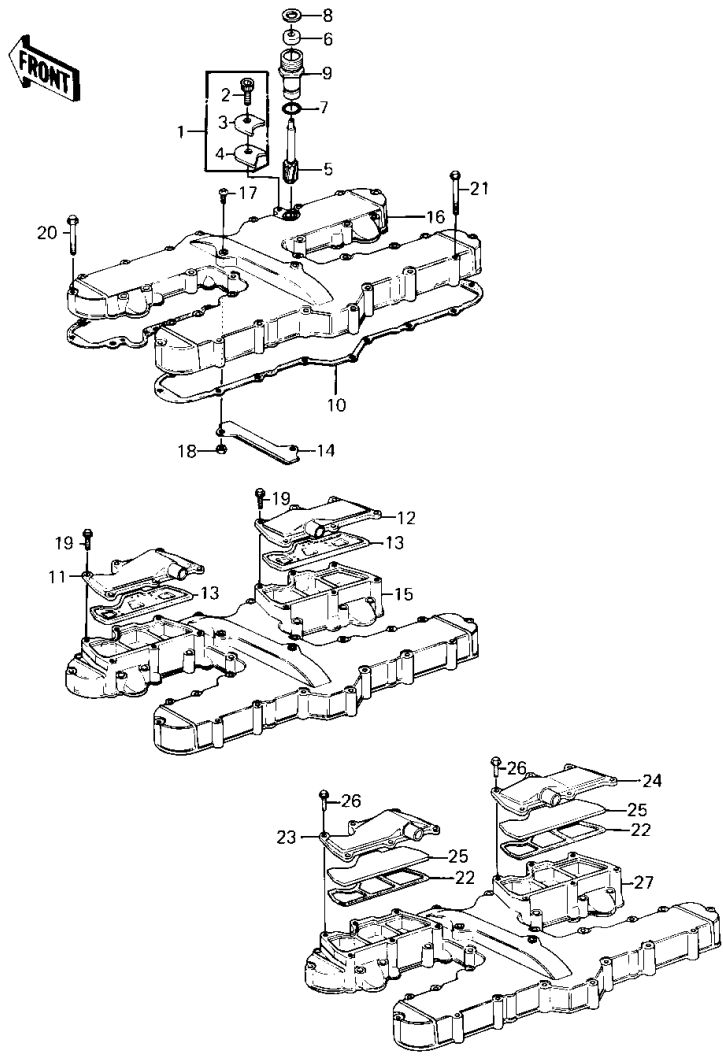
Illustration (c) 1966-2009 Kawasaki Motors Corp., U.S.A. All rights reserved

Part List

KZ1300-A3 / CYLINDER HEAD

REF NUMBER	PART NUMBER	DESCRIPTION	QUANTITY	US	CA	CN	REMARKS
1	12013-009	GUIDE,INLET VALVE	6	X		X	
2	49002-1002	GUIDE,EXHAUST VALVE	6	X		X	
3	92042-007	PIN-DOWEL	1	X		X	
4	92066-1030	PLUG,CAMSHAFT	4	X		X	
5	11004-1014	GASKET,HEAD,CYLINDER	1	X		X	
6	11008-1002	HEAD,CYLINDER	1	X		X	KZ1300-A1/A2, E/NO.002489~012373, E/NO.002489~012373, E/NO.000101~002488, KZ1300-A1/A2, E/NO.000101~002488, KZ1300-A3
7	92003-092	BOLT,HEX HEAD,6X45	16	X		X	
8	92004-066	STUD,6X27	12	X		X	
9	92036-023	CIRCLIP-VALVE	12	X		X	
10	92042-007	PIN-DOWEL	16	X		X	
11	130G0665	BOLT,FLANGED,6X65	3	X		X	
12	130N0608	BOLT,FLANGED,6X18	4	X			
12	130N0608	BOLT,FLANGED,6X18	6			X	
13	16065-1016	HOLDER,CARBURETOR	3	X		X	
14	220B0616	SCREW PAN HEAD 6X16	9	X		X	
15	411B1000	WASHER PLAIN 10MM	16	X		X	
16	92001-1302	BOLT,HEX HEAD,6X161	1	X		X	
17	92001-1143	BOLT,VACUUM	2	X			
18	92015-076	NUT,CYLINDER HEAD	16	X		X	
19	92022-304	WASHER,PLAIN	6	X		X	
20	92037-1119	CLAMP,CARBURETOR HLDR	3	X		X	
21	92011-032	SCREW,PAN HEAD,5X30	3	X		X	

KZ1300-A3 / CYLINDER HEAD COVER



Illustrations (c) 1966–2003 Kawasaki Motors Corp., U.S.A. All rights reserved.

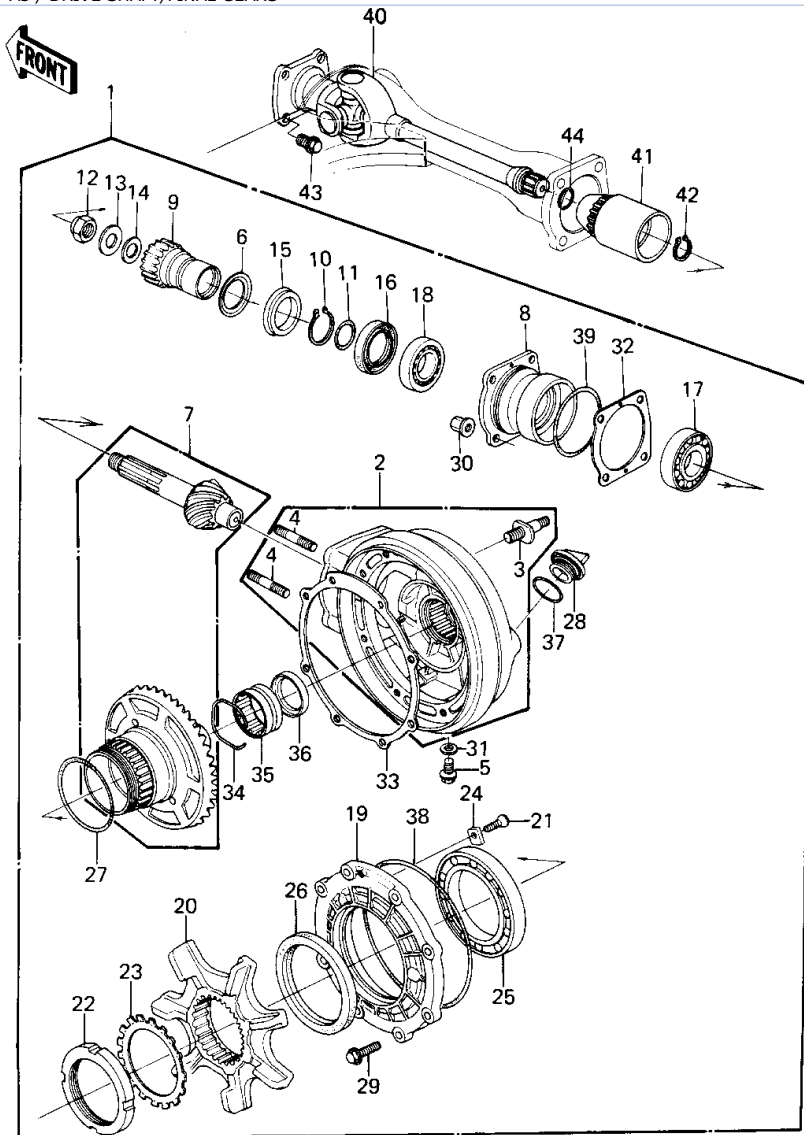
Illustration (c) 1966–2009 Kawasaki Motors Corp., U.S.A. All rights reserved

Part List

KZ1300-A3 / CYLINDER HEAD COVER

REF NUMBER	PART NUMBER	DESCRIPTION	QUANTITY	US	CA	CN	REMARKS
1	13091-5001	HOLDER SET,TACHOMETER	1	X		X	
2	120P0614	BOLT,6X14	1	X		X	
3	13091-1008	HOLDER,TACHOMETER2.3T	1	X		X	
4	13091-1009	HOLDER,TACHOMETR,3.2T	1	X		X	
5	13223-011	GEAR,TACHOMETER,10T	1	X		X	
6	92050-075	OIL SEAL	1	X		X	
7	92055-1149	RING-O,10MM	1	X		X	
8	92065-103	GASKET,TACHOMETER GER	1	X		X	
9	92087-010	GUIDE,TACHOMETER GEAR	1	X		X	
10	11009-1095	GASKET,CYL HEAD COVER	1	X		X	
11	11012-1057	CAP,L.H,REED VALVE	1	X			
12	11012-1058	CAP,R.H,REED VALVE	1	X			
13	12021-1004	VALVE ASSY,REED	2	X			
14	12053-1026	GUIDE,CHAIN,CAM	1	X		X	
15	14025-1062	COVER,CYLINDER HEAD	1	X			KZ1300-A1/A2, KZ1300-A1/A2, KZ1300-A3, KZ1300-A3
16	14025-1157	COVER,CYLINDER HEAD (Canada)	1			X	E/NO.- 000101~002488, E/NO.- 000101~002488
17	220B0616	SCREW PAN HEAD 6X16	2	X		X	
18	311B0600	NUT 6MM	2	X		X	
19	92001-1100	BOLT,HEX HEAD,6X20	12	X			
20	92001-1192	BOLT,HEX HEAD,6X52	4	X		X	
21	92003-092	BOLT,HEX HEAD,6X45	28	X		X	
22	11009-1170	GASKET (Canada)	2			X	E/NO.002489- E/NO.002489-
23	11012-1107	CAP,L.H (Canada)	1			X	E/NO.002489- E/NO.002489-
24	11012-1108	CAP,R.H (Canada)	1			X	E/NO 002489, E/NO 002489
25	13169-1221	PLATE (Canada)	2			X	E/NO 002489, E/NO 002489
26	92001-1100	BOLT,HEX HEAD,6X20	12			X	E/NO 002489, E/NO 002489
27	14025-1062	COVER,CYLINDER HEAD	1			X	E/NO.002489- 012373, E/NO.002489- 012373, KZ1300A3, KZ1300A3

KZ1300-A3 / DRIVE SHAFT/FINAL GEARS



Illustrations (c) 1966-2003 Kawasaki Motors Corp., U.S.A. All rights reserved.

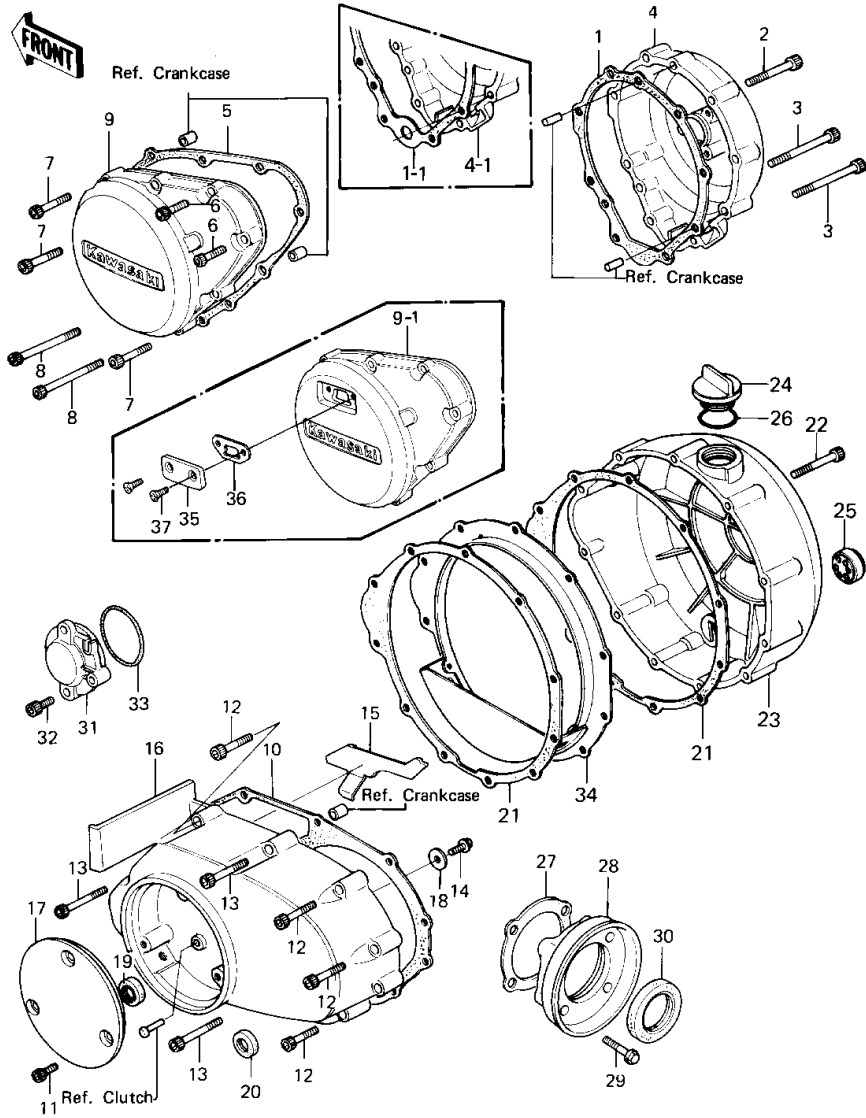
Illustration (c) 1966-2009 Kawasaki Motors Corp., U.S.A. All rights reserved

Part List

KZ1300-A3 / DRIVE SHAFT/FINAL GEARS

REF NUMBER	PART NUMBER	DESCRIPTION	QUANTITY	US	CA	CN	REMARKS
1	13101-1007	GEAR ASSY,FINAL	1				
2	11021-1009	CASE ASSY,FINAL GEAR	1				
3	92004-1020	STUD	1				
4	92004-1021	STUD,10X31.5	4				
5	130B0812	BOLT,FLANGE	1				
6	13169-1129	PLATE,OIL SEAL GUIDE	1				
7	13101-5026	GEAR SET,FINAL BEVEL	1				
8	41046-1008	HOUSING,BEARING,FINAL	1				
9	42034-1008	COUPLING PINION SHAFT	1				
10	480J3600	CIRCLIP,36M/M	1				
11	671B2525	"O" RING,25MM	1				
12	92015-1059	NUT,16M/M	1				
13	92022-1105	WASHER	1				
14	92025-1027	SHIM	AR				
15	92049-1023	OIL SEAL,OS-50369HS	1				
16	92049-1024	OIL SEAL,SC35558	1				
17	92116-1002	BEARING,R,4T30305C	1				
18	92116-1003	BEARING	1				
19	14025-1066	COVER,FINAL GEAR CASE	1				
20	42034-1007	COUPLING,REAR HUB	1				
21	92009-1041	SCREW,COUNTERSNK,6X16	3				
22	92015-1060	NUT,75M/M,RING GEAR	1				
23	92022-1106	WASHER,75M/M,RING GER	1				
24	92022-1112	WASHER,BEARING STOPPR	3				
25	92045-1020	BEARING,BALL,16016	1				
26	92049-1026	OIL SEAL,S-901159HS	1				
27	92055-1031	"O" RING,75MM	1				
28	16115-1003	CAP	1				
29	92001-1095	BOLT,8X28	8				
30	92015-1415	NUT,10MM	4				
31	92022-1086	WASHER	1				
32	92025-1037	SHIM,73X0.6	AR				
33	92025-1045	SHIM,168X0.6	AR				
34	92033-1020	RING,SNAP	1				
35	92046-1020	BEARING	1				
36	92049-1025	OIL SEAL	1				
37	92055-049	"O" RING,31MM	1				
38	92055-1030	"O" RING,159MM	1				
39	92055-1032	"O" RING,67MM	1				
40	39158-1001	SHAFT ASSY,PROPELLER	1				
41	42034-1009	COUPLING,PROP SHAFT	1				
42	480J2000	CIRCLIP, 20MM	1				
43	92001-1139	BOLT,12X15,COUPLING	4				
44	92055-1029	"O" RING,20.5MM	1				

KZ1300-A3 / ENGINE COVERS



Illustrations (c) 1966-2003 Kawasaki Motors Corp., U.S.A. All rights reserved.

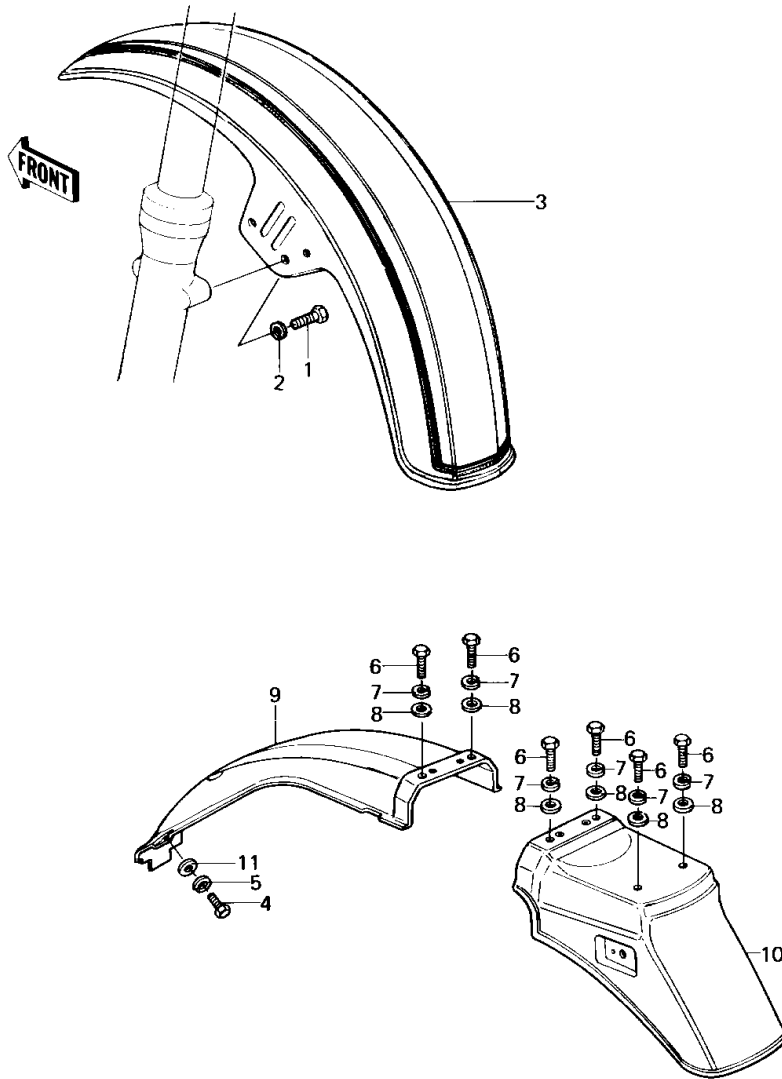
Illustration (c) 1966-2009 Kawasaki Motors Corp., U.S.A. All rights reserved

Part List

KZ1300-A3 / ENGINE COVERS

REF NUMBER	PART NUMBER	DESCRIPTION	QUANTITY	US	CA	CN	REMARKS
1	11009-1189	GASKET,GENERATOR COV	1				~E/NO.009426
2	120P0635	BOLT,SOCKET,6X35	6				
3	120P0650	BOLT,SOCKET,6X50	2				
4	14031-1039	COVER,GENERATOR	1				~E/NO. 001, E/NO.001732~009426
5	11009-1090	GASKET,L.H,ENGINE COV	1				
6	120P0625	BOLT,6X25	2				
7	120P0635	BOLT,SOCKET,6X35	6				
8	120P0650	BOLT,SOCKET,6X50	2				
9	14025-1501	COVER,L.H ENGINE	1				KZ1300-A1/A2, KZ1300-A1/A2
1-1	11009-1189	GASKET,GENERATOR COV	1				E/NO.009427~
10	11009-1091	GASKET,MISSION COVER	1				
11	120P0612	BOLT,SOCKET,6X12	3				
12	120P0635	BOLT,SOCKET,6X35	8				
13	120P0645	BOLT,SOCKET,6X45	4				
14	130G0614	BOLT,FLANGED,6X14	1				
15	13169-1131	PLATE,BAFFLE,BREATHER	1				
16	14025-1063	COVER,MISSION	1				KZ1300-A1/A2, KZ1300-A3
17	14025-1314	COVER,RELEASE	1				KZ1300-A1/A2, KZ1300-A3, KZ1300- A1/A2
18	42046-008	WASHER SHOCK DAMPER	1				
19	92049-1037	OIL SEAL,TC14244.8	1				
20	92051-005	OIL SEAL,TB13225.5	1				
21	11009-1092	GASKET,CLUTCH COVER	1				~E/NO.009426, E/NO.009427~011195
22	120P0645	BOLT,SOCKET,6X45	11				
23	14032-1012	COVER,CLUTCH	1				~E/NO.009426, E/NO.009427~010637, KZ1300-A3
24	16115-013	PLUG,OIL FILLER	1				
25	52015-004	GAUGE,OIL LEVEL	1				~E.NO.009426, E.NO.009427~
26	92055-049	"O" RING,31MM	1				
27	11009-1159	GASKET,BEARING CAP	1				
28	14022-1005	CAP,BEARING,OUT SHAFT	1				
29	92003-202	BOLT	4				
30	92049-1038	OIL SEAL,TC35527	1				
31	11012-1060	CAP,TIMING SPROCKET	1				
32	120P0614	BOLT,6X14	2				
33	670B3045	"O" RING,45M/M	1				
34	18020-1020	BAFFLE	1				E/NO.009427-011195
35	14025-1272	COVER,INSPECTION	1				KZ1300-A3
36	11009-1219	GASKET,INSPCTN COVER	1				KZ1300-A3
37	222E0510	SCREW OVL CNTSNK 5X10	2				KZ1300-A3
4-1	14041-1006	COVER,GENERATOR	1				E/NO.009427~012373, KZ1300-A3
9-1	14025-1271	COVER,ENGINE,LH	1				KZ1300-A3

KZ1300-A3 / FENDERS



Illustrations (c) 1966-2003 Kawasaki Motors Corp., U.S.A. All rights reserved.

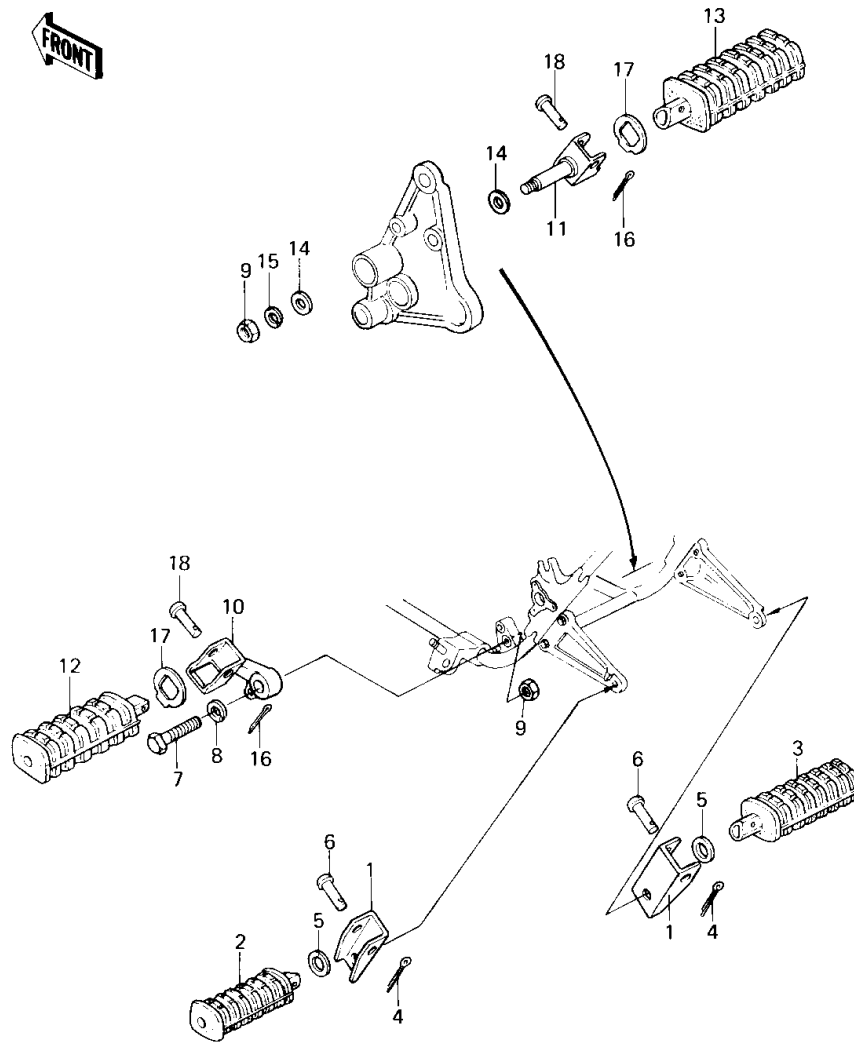
Illustration (c) 1966-2009 Kawasaki Motors Corp., U.S.A. All rights reserved

Part List

KZ1300-A3 / FENDERS

REF NUMBER	PART NUMBER	DESCRIPTION	QUANTITY	US	CA	CN	REMARKS
1	115G0816	BOLT-SMALL-UPSET,8X16	4				
2	461F0800	WASHER SPRING 8MM	4				
3	35004-1027-C1	FENDER-FR,L.S.BLUE	1				KZ1300 A1/A2, KZ1300 A3
4	112B0614	BOLT-UPSET 6X14	2				
5	461F0600	WASHER SPRING 6MM	2				
6	112G0618	BOLT-UPSET	6				
7	461F0600	WASHER SPRING 6MM	6				
8	411B0600	WASHER PLAIN 6MM	6				
9	35022-1019	FENDER-RR	1				FRONT
10	35022-1020-6Z	FENDER-RR,BLACK	1				REAR
11	92022-125	WASHER 6.5X20X1.6T	2				

KZ1300-A3 / FOOTRESTS



Illustrations (c) 1966-2003 Kawasaki Motors Corp., U.S.A. All rights reserved.

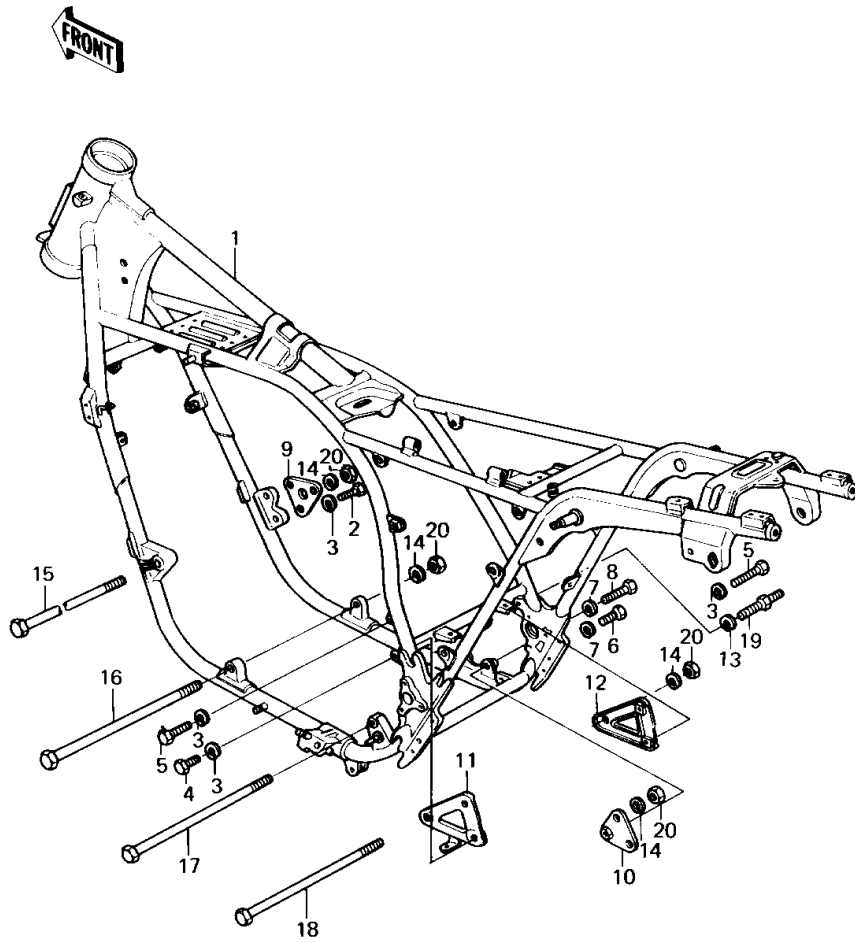
Illustration (c) 1966-2009 Kawasaki Motors Corp., U.S.A. All rights reserved

Part List

KZ1300-A3 / FOOTRESTS

REF NUMBER	PART NUMBER	DESCRIPTION	QUANTITY	US	CA	CN	REMARKS
1	34003-1025	HOLDER,REAR FOOTREST	2				
2	34028-1009	STEP,FOOTREST,REAR,LH	1				
3	34028-1010	STEP,FOOTREST,REAR,RH	1				
4	550D2012	PIN,COTTER,2.0X12	2				
5	92022-181	WASHER-PLAIN	2				
6	92043-1464	PIN	2				
7	113B1236A	BOLT-HEX HEAD,12X36	1				
8	461F1200	WASHER SPRING 12MM	1				
9	315B1200	NUT-HEX-FINE,12MM	1				
10	34003-1029	HOLDER,L.H,FOOTREST	1				
11	34003-1030	HOLDER,R.H,FOOTREST	1				
12	34028-1015	STEP,FRONT FOOTREST	1				
13	34028-1016	STEP,FRONT FOOTREST	2				
14	410B1200	WASHER PLAIN 12MM	2				
15	461F1200	WASHER SPRING 12MM	1				
16	550D2516	PIN COTTER 2.5X16	2				
17	92022-1096	WASHER,LOCK	2				
18	92043-080	PIN-FOOTREST BAR FIT	2				

KZ1300-A3 / FRAME



Illustrations (c) 1966-2003 Kawasaki Motors Corp., U.S.A. All rights reserved.

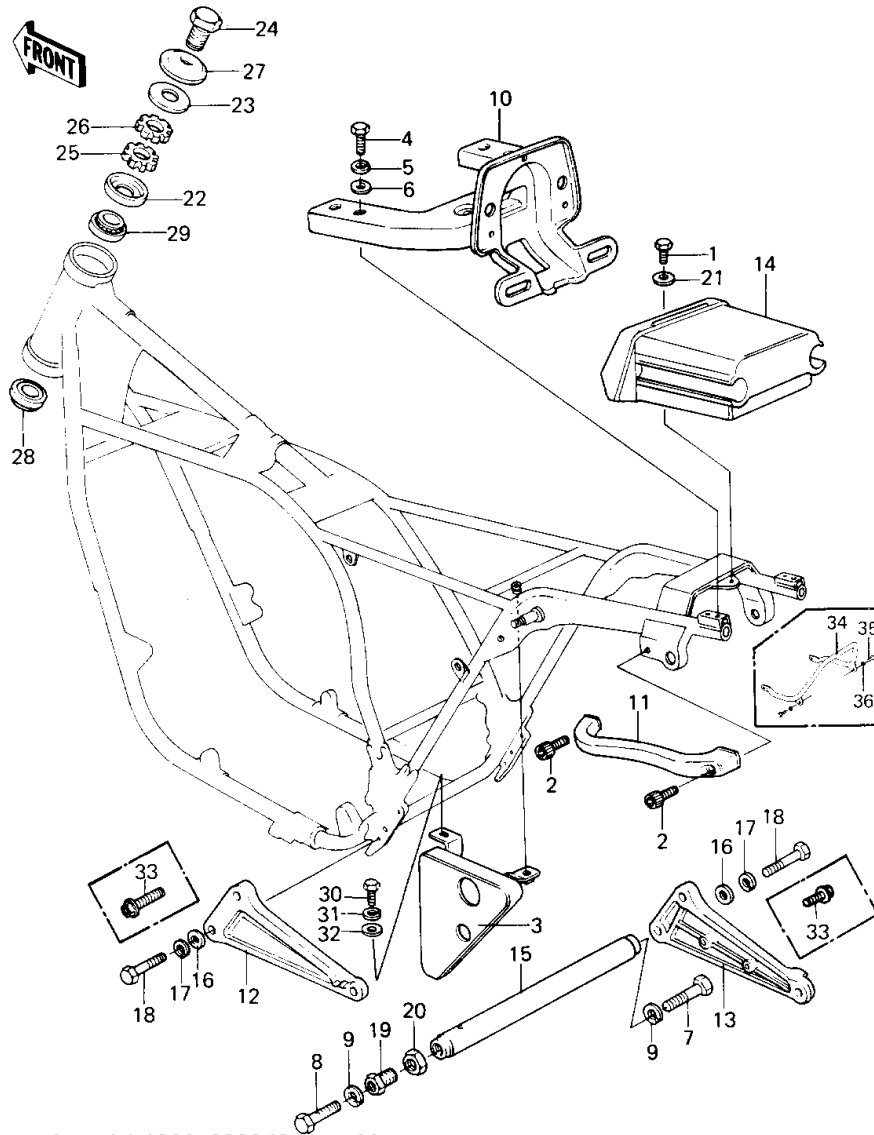
Illustration (c) 1966-2009 Kawasaki Motors Corp., U.S.A. All rights reserved

Part List

KZ1300-A3 / FRAME

REF NUMBER	PART NUMBER	DESCRIPTION	QUANTITY	US	CA	CN	REMARKS
1	32002-1092	FRAME	1				KZ1300A1 A2, KZ1300 A3
2	114G0822	BOLT,8X22	2				
3	461F0800	WASHER SPRING 8MM	5				
4	115G0825	BOLT-SMALL-UPSET 8X25	1				
5	115G0840	BOLT,8X40	2				
6	113G1016	BOLT,HEX HEAD,10X16	1				
7	461F1000	WASHER SPRING 10MM	2				
8	92001-1253	BOLT,HEX HEAD 10X40	1				
9	32029-1061	BRACKET,ENGINE,FRONT	1				R.H.
10	32029-1062	BRACKET,ENGINE,REAR	1				R.H.
11	32029-1063	BRACKET,ENGINE,REAR	1				L.H.
12	32029-1064	BRACKET,ENGINE,REAR	1				R.H.
13	461F0800	WASHER SPRING 8MM	1				
14	461F1000	WASHER SPRING 10MM	4				
15	92001-1126	BOLT,HEX HEAD,10X369	1				
16	92001-1127	BOLT,HEX HEAD,10X3/3	1				
17	92001-1128	BOLT,HEX HEAD,10X305	1				
18	92001-1129	BOLT,HEX HEAD,10X287	1				
19	92001-1400	BOLT,ENGINE BRACKET	1				8 M M, 8 M M
20	92015-1429	NUT,10MM	4				

KZ1300-A3 / FRAME FITTINGS



Illustrations (c) 1966-2003 Kawasaki Motors Corp., U.S.A. All rights reserved.

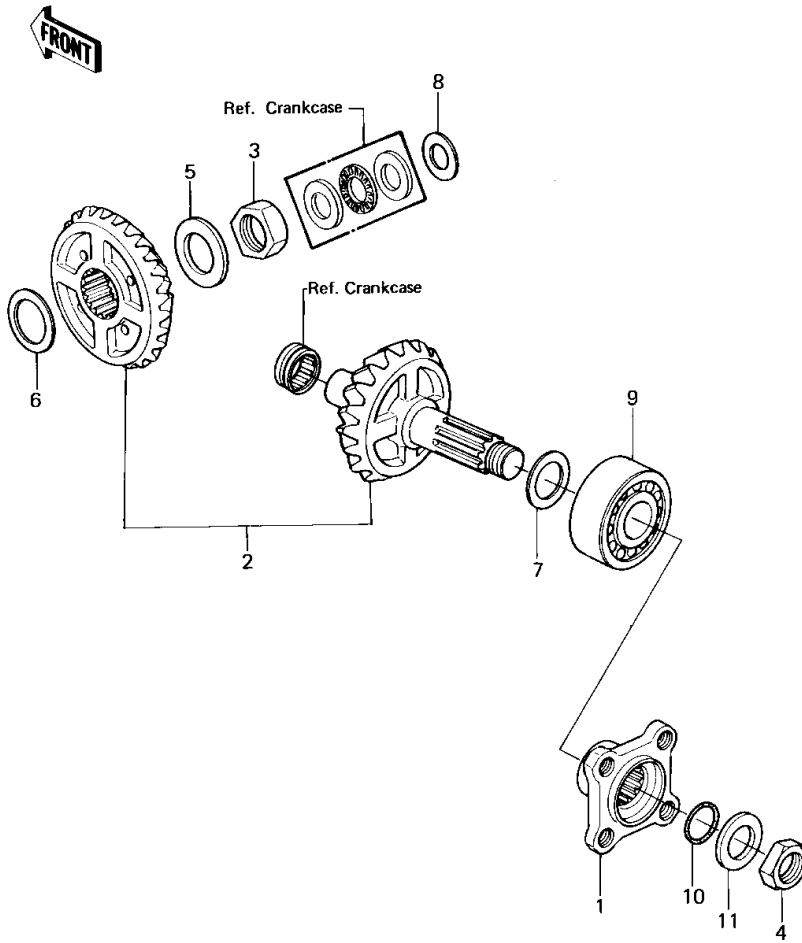
Illustration (c) 1966-2009 Kawasaki Motors Corp., U.S.A. All rights reserved

Part List

KZ1300-A3 / FRAME FITTINGS

REF NUMBER	PART NUMBER	DESCRIPTION	QUANTITY	US	CA	CN	REMARKS
1	112B0614	BOLT-UPSET 6X14	1				
2	120Q0820	BOLT SOCKET, 8 X 20	2				
3	14025-1246	COVER,SEAT LOCK	1				
4	115G0816	BOLT-SMALL-UPSET,8X16	4				
5	461F0800	WASHER SPRING 8MM	4				
6	410B0800	WASHER PLAIN 8MM	4				
7	113G1025	BOLT,HEX HEAD,10X25	1				
8	112G1030	BOLT-UPSET,10X30	1				
9	461F1000	WASHER SPRING 10MM	1				
10	23062-1003	BRACKET,ASSY	1				
11	32109-1012	GRIP,FRAME	1				
12	35011-1019	STAY,MUFFLER,L.H	1				
13	35011-1020	STAY,MUFFLER,R.H	1				
14	39012-1001	CASE,STORAGE	1				
15	39042-1001	CROSSMEMBER	1				
16	411B0800	WASHER PLAIN 8MM	4				
17	461F0800	WASHER SPRING 8MM	4				
18	92001-1142	BOLT,HEX HEAD,8X30	4				
19	92001-1216	BOLT,CROSSMEMBER FITT	1				
20	92015-1086	NUT,CROSSMEMBER FITTI	1				
21	92022-237	WASHER 6.5X22X1.6T	1				
22	11012-1059	CAP,STEERING STEM HEA	1				
23	46100-003	WASHER,WAVE	1				
24	92007-031	BOLT,STEERG STEM HEAD	1				
25	92015-1052	NUT,STEERING STEM HEA	1				
26	92015-1069	NUT,STEERING STEM HEA	1				
27	92022-230	WASHER,STEERG STM HD	1				
28	92116-1008	BEARING,ROLLER,32006	1				
29	92116-1009	BRG,ROLLER,HR320/28XJ	1				
30	112G0612	BOLT-UPSET,6X12	1				
31	461F0600	WASHER SPRING 6MM	1				
32	411B0600	WASHER PLAIN 6MM	1				
33	92001-1095	BOLT,8X28	4				
34	35011-1070	STAY,REAR	1				
35	115B0814	BOLT-SMALL-UPSET,8X14	2				
36	461F0800	WASHER SPRING 8MM	2				

KZ1300-A3 / FRONT BEVEL GEARS



Illustrations (c) 1966-2003 Kawasaki Motors Corp., U.S.A. All rights reserved.

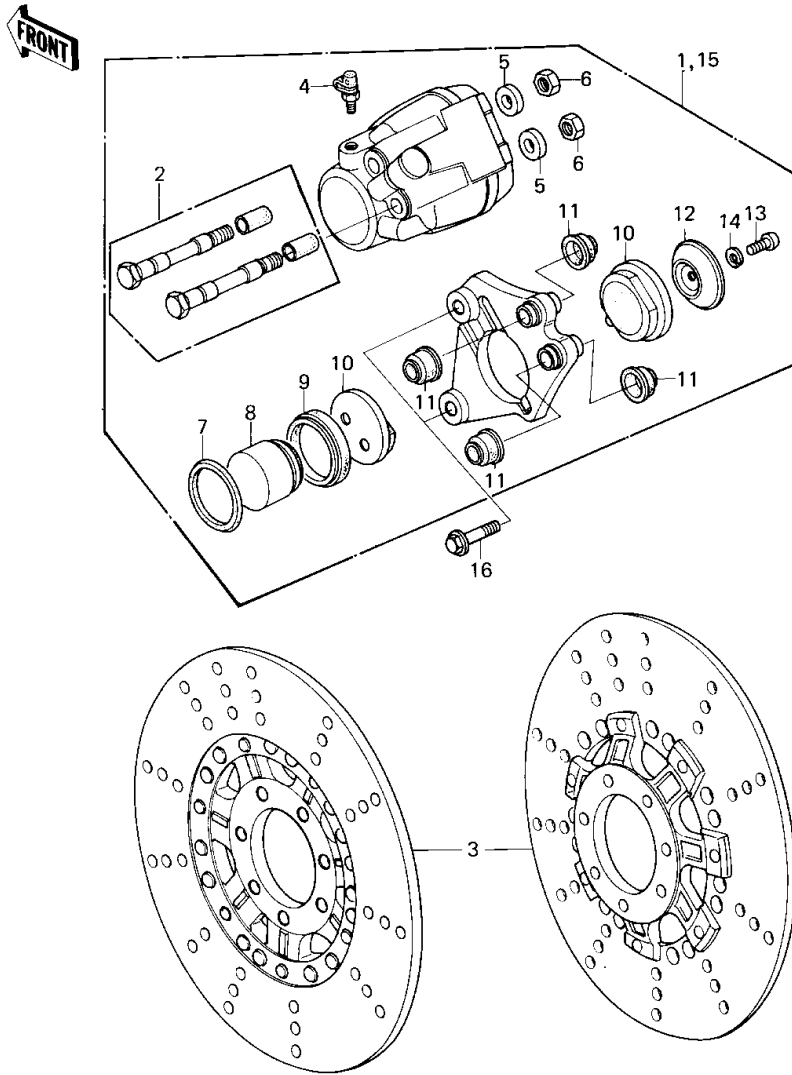
Illustration (c) 1966-2009 Kawasaki Motors Corp., U.S.A. All rights reserved

Part List

KZ1300-A3 / FRONT BEVEL GEARS

REF NUMBER	PART NUMBER	DESCRIPTION	QUANTITY	US	CA	CN	REMARKS
1	42034-1010	COUPLING,OUTPUT SHAFT	1				
2	13101-5025	GEAR SET,FRONT BEVEL	1				
3	92015-1057	NUT,24M/M	1				
4	92016-028	NUT 20MM	1				
5	92022-1104	WASHER,24M/M,CANICAL	1				
6	92025-1006	SHIM,30.3X40X0.6	AR				
8	92025-1020	SHIM,15.3X27.5X0.6	AR				
9	92045-1019	BEARING,BALL,5305	1				NTN, HIC
10	92055-1029	"O" RING,20.5MM	1				
11	92125-002	WASHER	1				

KZ1300-A3 / FRONT BRAKE



Illustrations (c) 1966-2003 Kawasaki
Motors Corp., U.S.A. All rights reserved.

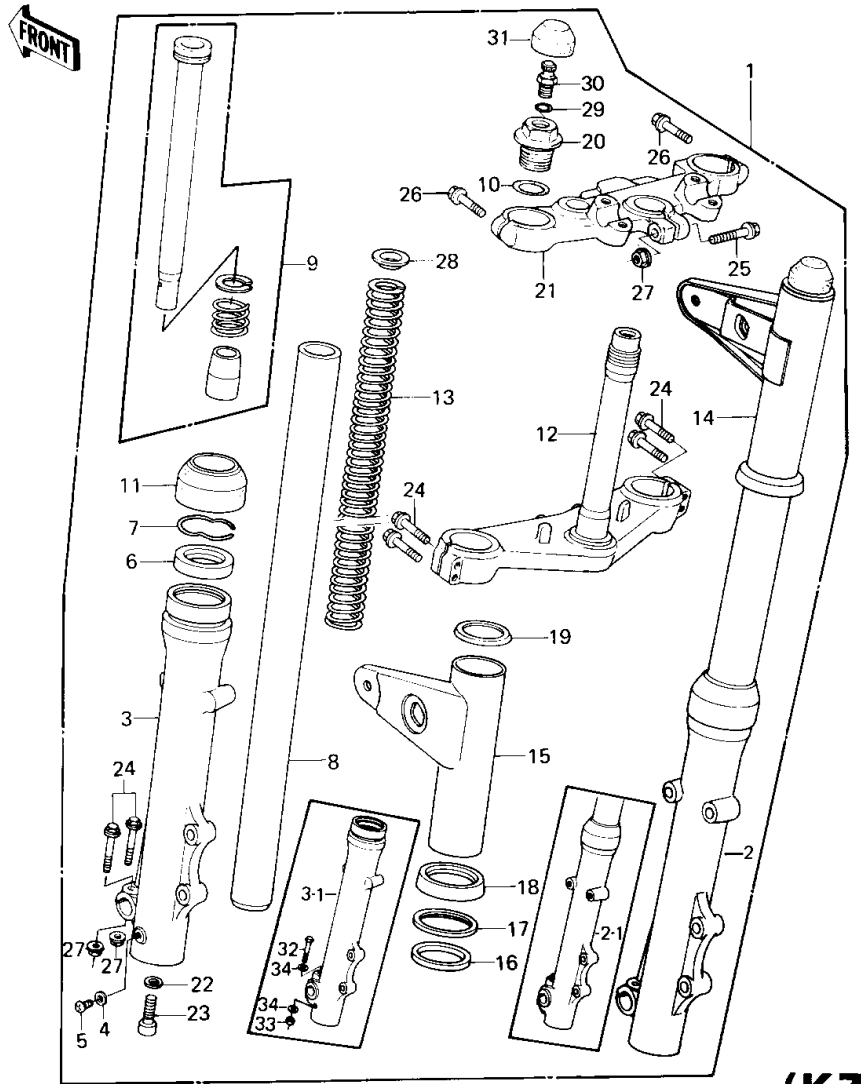
Illustration (c) 1966-2009 Kawasaki Motors Corp., U.S.A. All rights reserved

Part List

KZ1300-A3 / FRONT BRAKE

REF NUMBER	PART NUMBER	DESCRIPTION	QUANTITY	US	CA	CN	REMARKS
1	43041-1016	CALIPER ASSY,FRONT,LH	1				
2	13234-1002	SHAFT ASSY,CALIPER	2				
3	41080-1123	DISC,FR,SILVER	2				
4	43085-001	BLEEDER SET	2				
5	43088-002	PLUG	4				
6	315B1000	NUT 10MM	4				
7	43049-002	RING,PISTON SEAL	2				
8	43020-1012	PISTON,BRAKE,42M/M	2				
9	43054-003	DUST SEALD,RUBBER	2				
10	43082-1004	PAD SET	2				
11	43052-005	DUST SHILD,SHAFT	8				
12	43040-004	SPACER	2				
13	220B0612	SCREW PAN HEAD 6X12	2				
14	461F0600	WASHER SPRING 6MM	2				
15	43041-1017	CALIPER ASSY,FRONT,RH	1				
16	92001-1299	BOLT,HEX HEAD,10X44	4				10X45, 10X44

KZ1300-A3 / FRONT FORK (KZ1300-A1/A2)



Illustrations (c) 1966-2003 Kawasaki Motors Corp., U.S.A. All rights reserved.

(KZ)

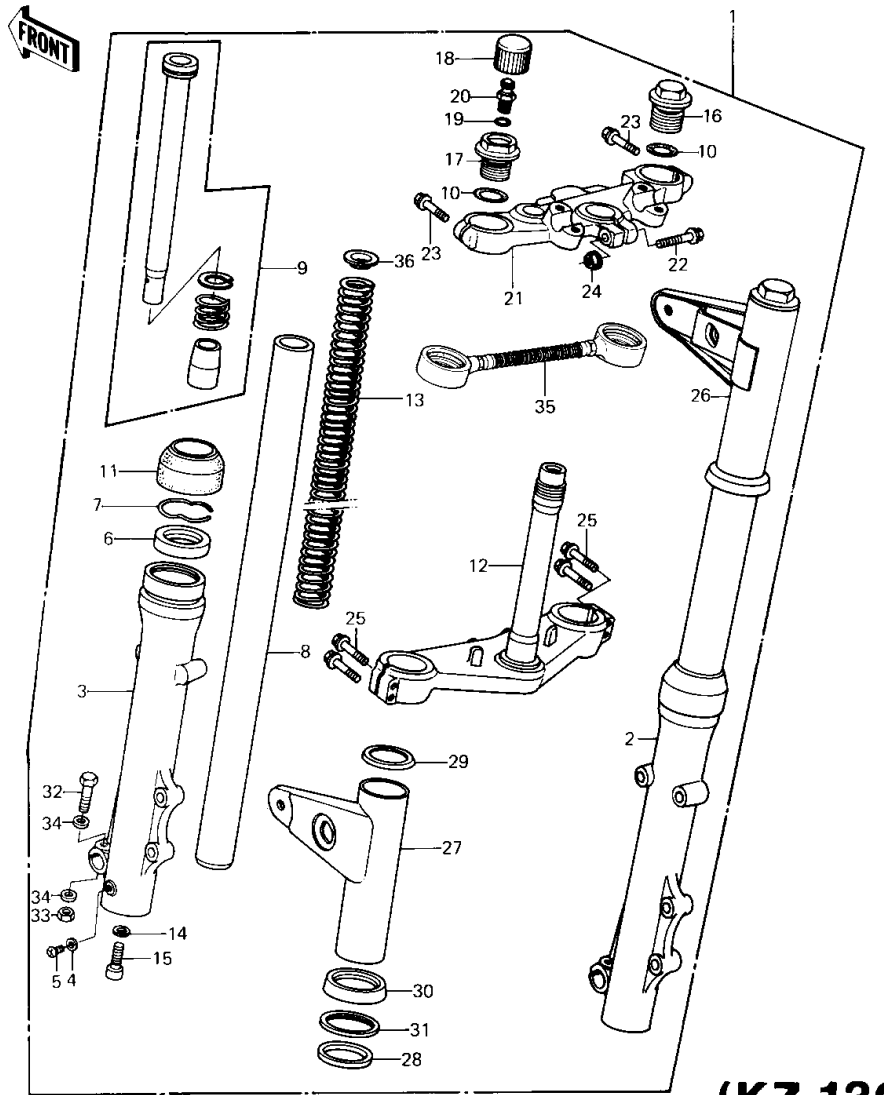
Illustration (c) 1966-2009 Kawasaki Motors Corp., U.S.A. All rights reserved

Part List

KZ1300-A3 / FRONT FORK (KZ1300-A1/A2)

REF NUMBER	PART NUMBER	DESCRIPTION	QUANTITY	US	CA	CN	REMARKS
1	44001-1227	FORK-FRONT	1				KZ1300-A1, KZ1300-A2
2	44006-1022	TUBE,RH,FORK OUTER	1				KZ1300-A1
3	44005-1022	TUBE,LH,FORK OUTER	1				KZ1300-A1
4	44045-002	GASKET FORK DRAIN PLG	2				
5	220B0408	SCREW PAN HEAD 4X8	2				
6	92049-1043	OIL SEAL	2				
7	92033-1036	CIRCLIP	2				
8	44013-1019	TUBE,FORK INNER	2				
9	44022-1029	CYLINDER-FORK	2				
10	92055-1050	"O" RING,FORK TOP CAP	2				
11	92093-1023	DUST SHIELD,FORK	2				
12	44037-1016	STEM,STEERING	1				
13	44026-1028	SPRING,FORK	2				
14	44033-1036	COVER,R.H,FORK	1				
15	44033-1037	COVER,L.H,FORK	1				
16	92075-1155	DAMPER,FORK COVER	2				
17	13169-1154	GUIDE,FORK COVER DMPE	2				
18	13169-1163	GUIDE,FORK COVER,LOWE	2				
19	13169-1164	GUIDE,FORK COVER,UPER	2				
2-1	44006-1043	TUBE,RH,FORK OUTER	1				KZ1300-A2
20	44029-1008	CAP,FORK TOP	2				
21	44039-1013	HEAD,STEERING STEM	1				
22	11009-1127	GASKET,FORK CYLINDER	2				
23	92001-1186	BOLT,FORK CYLINDER	2				
24	92001-1188	BOLT,8X40	4				KZ1300 A1, KZ1300 A2
25	92001-1060	BOLT,HEX HEAD,8X53	1				
26	92001-1189	BOLT,10X45	2				
27	44007-1002	NUT,8M/M	1				KZ1300 A1, KZ1300 A2
28	44028-1003	GUIDE,FORK SPRING	2				
29	92055-1018	"O" RING,AIR VALVE	2				
3-1	44005-1043	TUBE,LH,FORK OUTER	1				KZ1300-A2
30	16126-1003	VALVE ASSY,AIR	2				
31	44029-1009	CAP,RUBBER,FORK TOP	2				
32	114G0855	BOLT,HEX HEAD,8X55	2				KZ1300 A2
33	92015-1124	NUT,LOCK,8MM	2				KZ1300 A2
34	410B0800	WASHER PLAIN 8MM	4				KZ1300 A2

KZ1300-A3 / FRONT FORK (KZ1300-A3)



Illustrations (c) 1966-2003 Kawasaki Motors Corp., U.S.A. All rights reserved.

(KZ 1300)

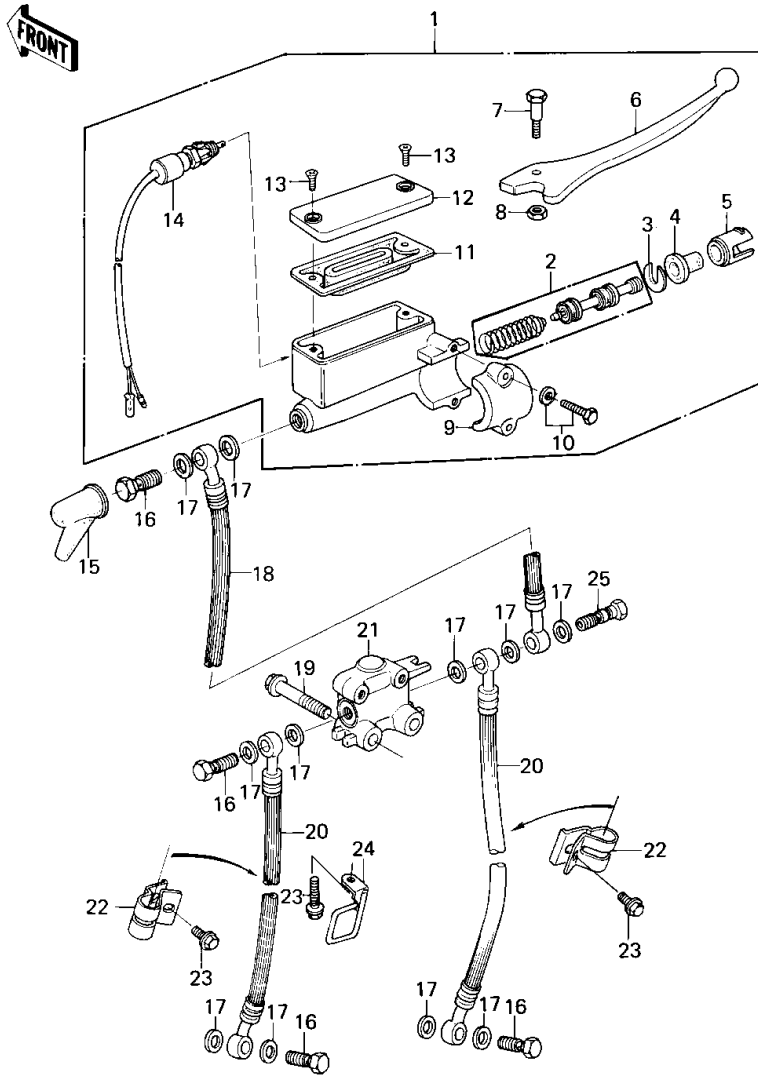
Illustration (c) 1966-2009 Kawasaki Motors Corp., U.S.A. All rights reserved

Part List

KZ1300-A3 / FRONT FORK (KZ1300-A3)

REF NUMBER	PART NUMBER	DESCRIPTION	QUANTITY	US	CA	CN	REMARKS
1	44001-1267	FORK-FRONT	1				
2	44006-1043	TUBE,RH,FORK OUTER	1				
3	44005-1043	TUBE,LH,FORK OUTER	1				
4	44045-002	GASKET FORK DRAIN PLG	2				
5	220B0408	SCREW PAN HEAD 4X8	2				
6	92049-1043	OIL SEAL	2				
7	92033-1036	CIRCLIP	2				
8	44013-1057	TUBE FORK INNER	1				
9	44022-1029	CYLINDER-FORK	2				
10	92055-1050	"O" RING,FORK TOP CAP	2				
11	92093-1023	DUST SHIELD,FORK	2				
12	44037-1016	STEM,STEERING	1				
13	44026-1028	SPRING,FORK	2				
14	11009-1127	GASKET,FORK CYLINDER	2				
15	92001-1309	BOLT,FORK CYLINDER	2				
16	44029-1023	CAP FORK TOP RH	1				
17	44029-1024	CAP FORK TOP LH	1				
18	11012-1241	CAP,AIR VALVE	1				
19	92055-1094	"O" RING,AIR VALVE	1				
20	16126-1052	VALVE AIR	1				
21	44039-1013	HEAD,STEERING STEM	1				
22	92001-1398	BOLT FLANGED 8X55	1				
23	92001-1189	BOLT,10X45	2				
24	44007-1002	NUT,8M/M	1				
25	92001-1188	BOLT,8X40	4				
26	44033-1064	COVER FORK RH	1				
27	44033-1063	COVER FORK LH	1				
28	92075-1155	DAMPER,FORK COVER	2				
29	13169-1164	GUIDE,FORK COVER,UPER	2				
30	13169-1163	GUIDE,FORK COVER,LOWE	2				
31	13169-1154	GUIDE,FORK COVER DMPE	2				
32	114G0855	BOLT,HEX HEAD,8X55	2				
33	92015-1124	NUT,LOCK,8MM	2				
34	410B0800	WASHER PLAIN 8MM	4				
35	51044-1005	HOSE ASSY FRONT FORK	1				
36	44028-1003	GUIDE,FORK SPRING	2				

KZ1300-A3 / FRONT MASTER CYLINDER



Illustrations (c) 1966-2003 Kawasaki Motors Corp., U.S.A. All rights reserved.

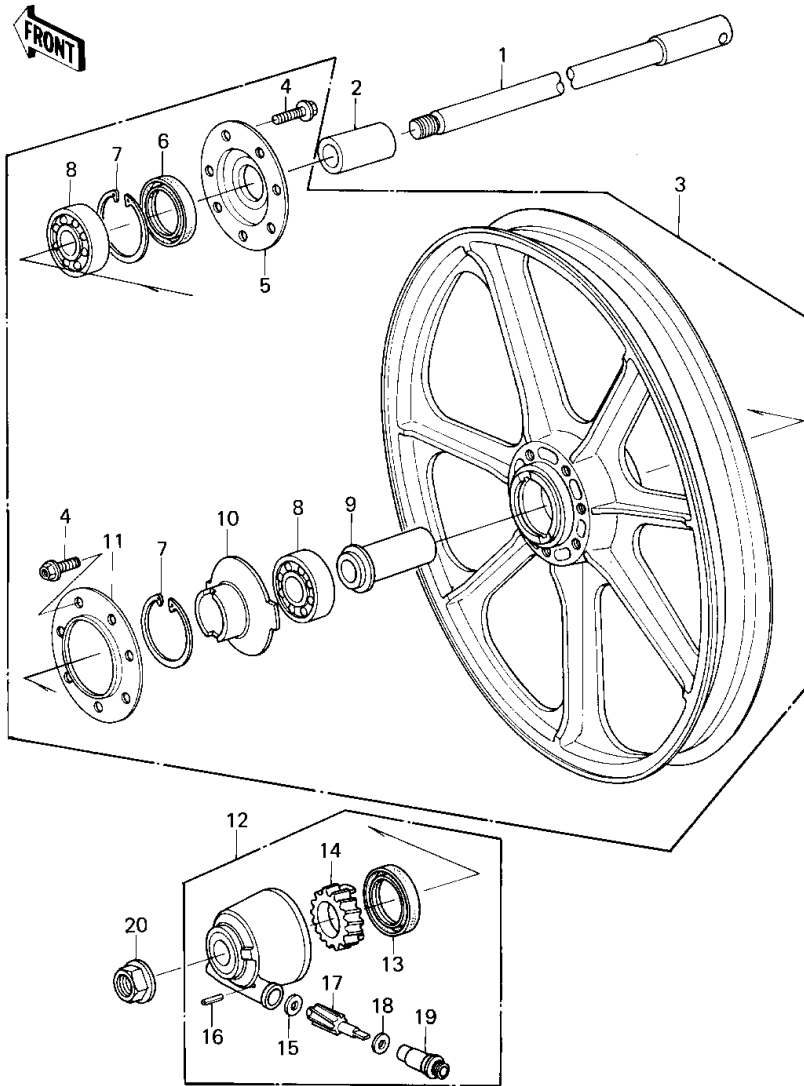
Illustration (c) 1966-2009 Kawasaki Motors Corp., U.S.A. All rights reserved

Part List

KZ1300-A3 / FRONT MASTER CYLINDER

REF NUMBER	PART NUMBER	DESCRIPTION	QUANTITY	US	CA	CN	REMARKS
1	43015-1060	CYLINDER ASSY,FRONT	1				
2	43020-1023	PISTON-COMP-BRAKE	1				
3	43022-1001	STOPER,PISTON	1				
4	49016-1010	DUST COVER	1				
5	14008-1007	LINER,PISTON	1				
6	46092-1004	LEVER,FRONT BRAKE	1				
7	92001-1056	BOLT,CLUTCH LEV FITT	1				
8	312B0600	NUT 6MM	1				
9	43034-1001	HOLDER,MASTER CYLINDR	1				
10	43033-003	BOLT,HEX HEAD,6X25	2				
11	43028-1008	DIAPHRAGM	1				
12	43026-1012	CAP,OIL CUP	1				
13	92001-1055	SCREW,COUNTERSUNK HED	2				
14	27010-1028	SWITCH,BRAKE	1				
15	49006-1041	BOOT,DUST	1				
16	92002-1888	BOLT,OIL,L=23	4				
17	43067-001	WASHER-OIL BOLT	11				
18	43059-1042	HOSE,BRAKE	1				
19	130G0845	BOLT,FLANGED,8X45	2				
20	43059-1175	HOSE-BRAKE,L=570	2				
21	43061-1001	JOINT,BRAKE	1				
22	11034-1284	BRACKET,BRAKE HOSE	2				
23	130B0608	BOLT,FLANGED,6X8	3				
24	11034-1285	BRACKET,SPEED CABLE	1				
25	92002-1909	BOLT	1				

KZ1300-A3 / FRONT WHEEL/HUB



Illustrations (c) 1966-2003 Kawasaki Motors Corp., U.S.A. All rights reserved.

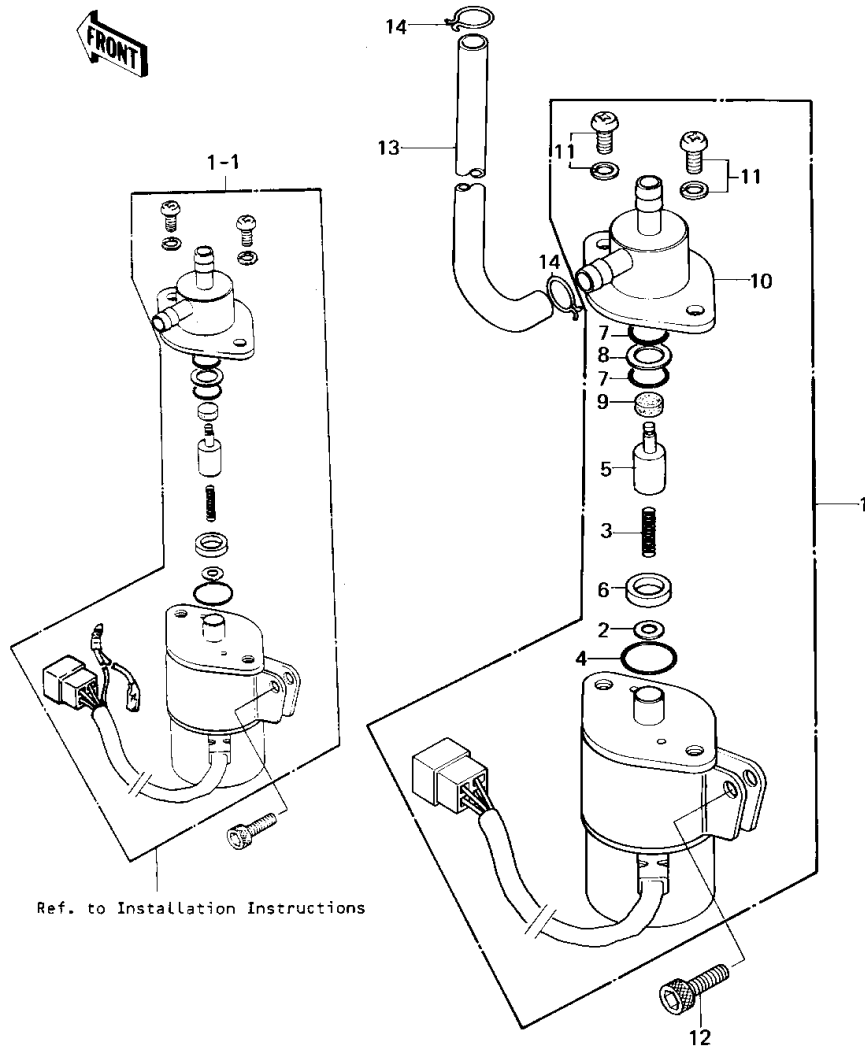
Illustration (c) 1966-2009 Kawasaki Motors Corp., U.S.A. All rights reserved

Part List

KZ1300-A3 / FRONT WHEEL/HUB

REF NUMBER	PART NUMBER	DESCRIPTION	QUANTITY	US	CA	CN	REMARKS
1	41068-1016	AXLE,FRONT	1				
2	92027-1125	COLLAR,FRONT AXLE	1				
3	41073-1023	SOLID WHEEL ASSY,FRON	1				
4	92001-1095	BOLT,8X28	14				
5	49016-1018	DUST COVER,R.H	1				
6	92049-1008	OIL SEAL,NOK AE1351EO	1				
7	92033-1042	CIRCLIP,47M/M	2				
8	601B6303Z	BEARING BALL #6303Z	2				
9	92027-1123	COLLAR,FRONT HUB BEAR	1				
10	41064-1003	RECEIVER,SPEEDOMETER	1				
11	49016-1017	DUST COVER,L.H	1				
12	41078-1008	GEAR BOX ASSY	1				
13	92049-1057	OIL SEAL,BJN30427-C3	1				
14	41059-026	GEAR,SPEEDOMETER	1				26T
15	41063-001	WASHER THRST SPD PINI	1				
16	41082-001	PIN,SPRING	1				
17	41060-1021	PINION,SPEEDOMETER	1				9T
18	41063-001	WASHER THRST SPD PINI	1				OD 10
19	92028-1045	BUSHING,SPEEDOMETER	1				
20	92015-1041	NUT,16M/M	1				

KZ1300-A3 / FUEL SOLENOID VALVE



Illustrations (c) 1966-2003 Kawasaki Motors Corp., U.S.A. All rights reserved.

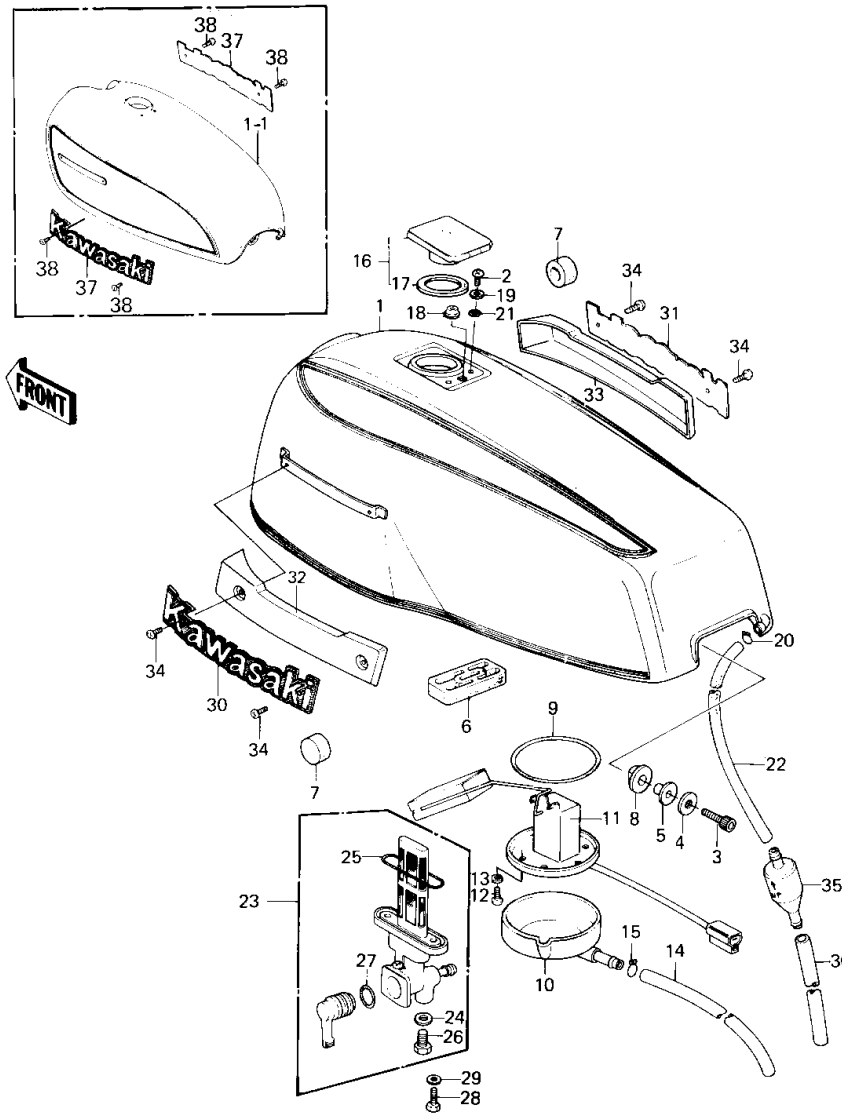
Illustration (c) 1966-2009 Kawasaki Motors Corp., U.S.A. All rights reserved

Part List

KZ1300-A3 / FUEL SOLENOID VALVE

REF NUMBER	PART NUMBER	DESCRIPTION	QUANTITY	US	CA	CN	REMARKS
1	49116-1001	VALVE ASSY,FUEL	1				KZ1300-A1, KZ1300-A2/A3
2	92026-1056	SPACER	1				
3	92081-1170	SPRING	1				
4	92055-1064	"O" RING	1				
5	16016-1007	PLUNGER	1				
6	43058-1012	COLLAR	1				
7	92055-1065	"O" RING	2				
8	92026-1057	SPACER	1				
9	16126-1016	VALVE	1				
1-1	49116-1008	VALVE-ASSY,FUEL	1				KZ1300-A2/A3
10	16131-1003	BODY,VALVE	1				
11	92009-1071	SCREW,PAN HEAD	2				
12	120P0614	BOLT,6X14	1				
13	92059-1083	TUBE,FUEL7.5X12.5X230	1				
14	92037-1141	CLAMP,FUEL TUBE	2				

KZ1300-A3 / FUEL TANK



Illustrations (c) 1966-2003 Kawasaki
Motors Corp., U.S.A. All rights reserved.

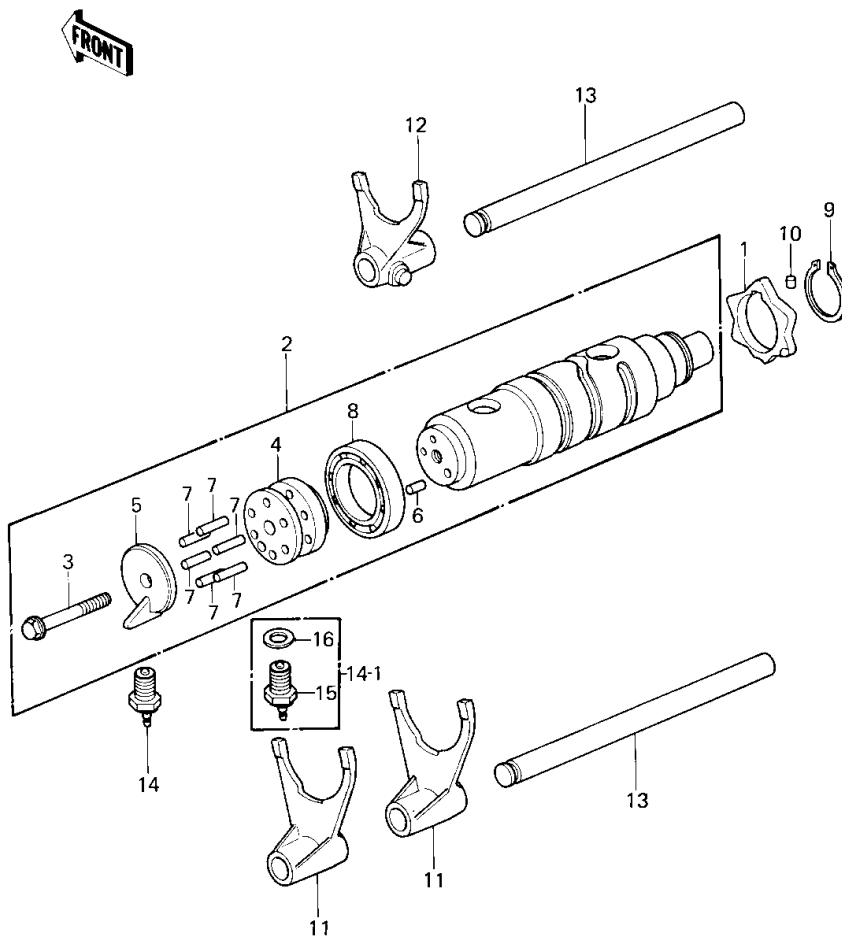
Illustration (c) 1966-2009 Kawasaki Motors Corp., U.S.A. All rights reserved

Part List

KZ1300-A3 / FUEL TANK

REF NUMBER	PART NUMBER	DESCRIPTION	QUANTITY	US	CA	CN	REMARKS
1	51001-1017-C1	TANK-FUEL,L.S.BLUE	1				KZ1300-A1/A2
2	220B0510	SCREW PAN HEAD 5X10	2				
3	120P0830	BOLT,SOCKET,8X30	1				
4	92022-092	92022-101 (Canada)	1				
5	92027-1134	COLLAR,FUEL TANK FITT	1				
6	92075-1114	DAMPER,FUEL TANK,REAR	1				
7	92075-1115	DAMPER,FUEL TANK,FRON	2				
8	92075-1116	DAMPER,FUEL TANK,FITT	1				
9	92055-1067	"0" RING	1				
1-1	51001-1063-8G	TANK-FUEL,EBONY	1				KZ1300 A3
10	14025-1091	COVER,FUEL GAGE	1				
11	52005-1006	GAGE,FUEL	1				
12	220B0508	SCREW PAN HEAD 5X8	5				
13	461F0500	WASHER SPRING 5MM	5				
14	702A071000	TUBE-BREATHER (BULK)	1				
15	92037-147	CLAMP,CHAIN OILER	1				
16	51048-1019	CAP ASSY,FUEL TANK	1				
17	11009-1051	GASKET,FUEL TANK CAP	1				
18	92093-1030	OIL SEAL,FUEL TANK	1				
19	92022-1038	WASHER,PLAIN	2				
20	92037-010	CLAMP FUEL PIPE	1				
21	92055-1023	"0" RING	2				
22	92059-1092	TUBE,4.5X9X750M/M	1				F/NO.000101~007866, F/NO 007867
23	51023-1028	TAP ASSY,FUEL	1				
24	11009-1045	GASKET,DRAIN BOLT	1				NOT REQUIRED FOR 51023 1028
25	51039-010	"0" RING	1				
26	92001-1089	BOLT,DRAIN	1				NOT REQUIRED FOR 51023-1028
27	92055-1036	"0" RING	1				
28	92001-1091	BOLT,6X20,FUEL TAP	2				
29	92022-183	WASHER-PLAIN	2				
30	56014-1025	EMBLEM,FUEL TANK,L.H	1				KZ1300 A1/A2
31	56014-1026	EMBLEM,FUEL TANK,R.H	1				KZ1300 A1/A2
32	56014-1027	EMBLEM BASE,FUEL TANK	1				KZ1300 A1/A2
33	56014-1028	EMBLEM BASE,FUEL TANK	1				KZ1300 A1/A2
34	220C0308	SCREW-PAN-CROS	4				KZ1300 A1/A2
35	14069-1004	BREATER,FUEL TANK	1				F/NO 007867-
36	702A07400	TUBE,RUBBER,7X10X400	1				F/NO 007867-
37	56014-1043	EMBLEM,FUEL TANK	2				KZ1300 -A3
38	221C0306	SCREW-CSK-CROS	4				KZ1300 -A3

KZ1300-A3 / GEAR CHANGE DRUM & FORKS



Illustrations (c) 1966-2003 Kawasaki Motors Corp., U.S.A. All rights reserved.

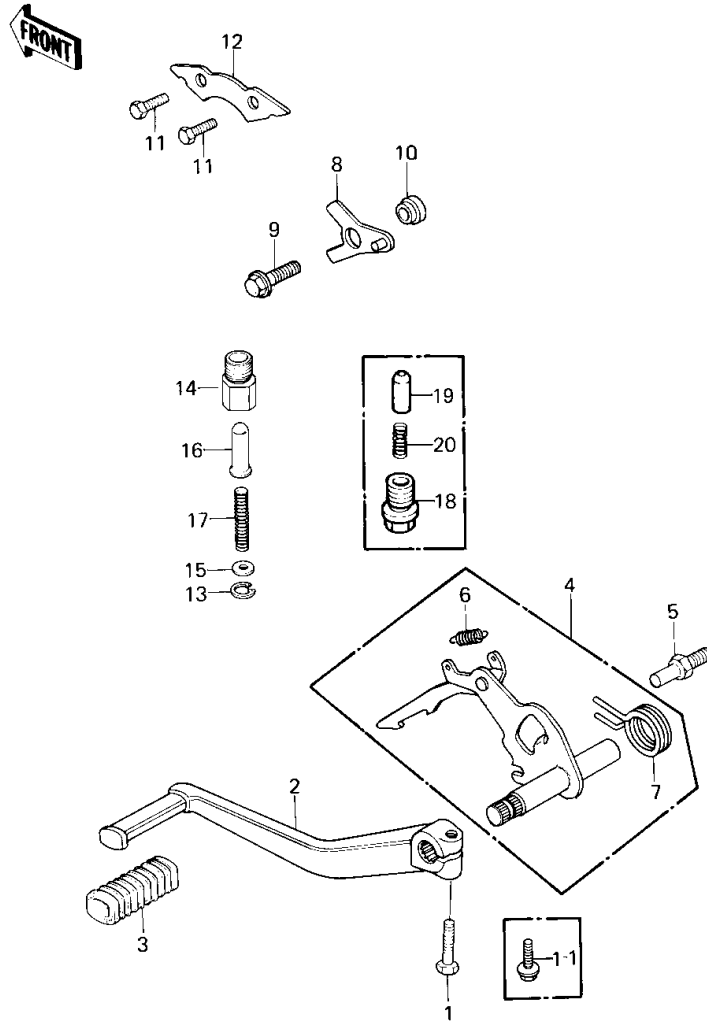
Illustration (c) 1966-2009 Kawasaki Motors Corp., U.S.A. All rights reserved

Part List

KZ1300-A3 / GEAR CHANGE DRUM & FORKS

REF NUMBER	PART NUMBER	DESCRIPTION	QUANTITY	US	CA	CN	REMARKS
1	13145-1058	CAM-CHANGE DRUM	1				
2	13239-1020	DRUM ASSY,CHANGE	1				KZ1300-A1/A2, KZ1300-A3, KZ1300-A3
4	13091-1032	HOLDER,BEARING	1				
5	13091-1033	HOLDER,DRUM PIN	1				
6	610A0408	PIN DOWEL 4X8	1				
7	92042-014	PIN GEAR CHANGE DRUM	6				
8	92045-1016	BEARING,BALL,#6906	1				
9	480J3000	CIRCLIP,30MM	1				
10	610A0406	PIN-DOWEL,4X6	1				
11	13140-1019	FORK,SHIFT,LOW,2ND,3D	2				KZ1300-A1/A2, KZ1300-A3
12	13140-1020	FORK,SHIFT,4TH & TOP	2				KZ1300-A1/A2
13	49047-1008	ROD,SHIFT,12X173	2				
14	13151-5002	SWITCH,NEUTRAL	1				E/NO. 000101~010783
15	13151-1007	SWITCH,NEUTRAL	1				E/NO. 010784-
16	92065-058	GASKET CHECK VALVE	1				E/NO.010784~
14-1	13151-5002	SWITCH,NEUTRAL	1				

KZ1300-A3 / GEAR CHANGE MECHANISM



Illustrations (c) 1966-2003 Kawasaki Motors Corp., U.S.A. All rights reserved.

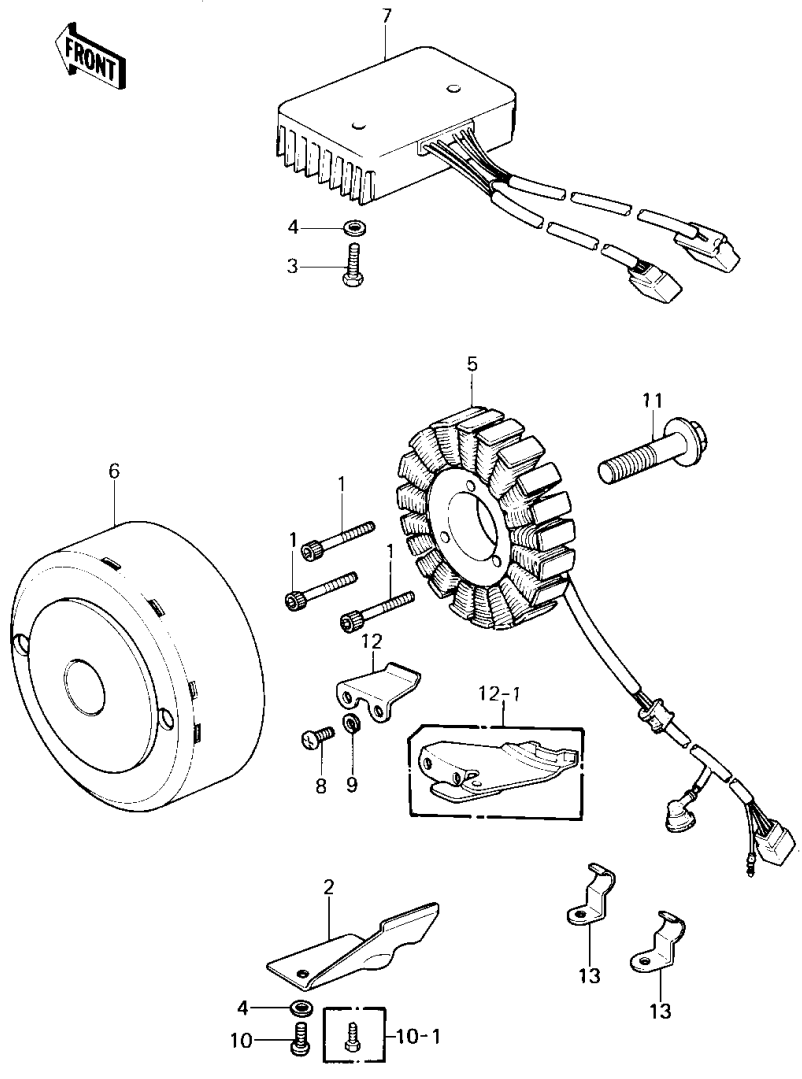
Illustration (c) 1966-2009 Kawasaki Motors Corp., U.S.A. All rights reserved

Part List

KZ1300-A3 / GEAR CHANGE MECHANISM

REF NUMBER	PART NUMBER	DESCRIPTION	QUANTITY	US	CA	CN	REMARKS
1	112G0625	BOLT-UPSET	1				KZ1300-A1/A2
2	13156-1038	PEDAL,CHANGE	1				
3	92075-1112	DAMPER RUBER,CHNG PDL	1				USE FOR 13156-1016, USE FOR 13156-1038
4	13161-1114	LEVER-COMP-CHANGE SHA	1				
5	92001-1401	BOLT,RETURN SPRING	1				
6	92081-076	SPRING-CHANGE LEVER	1				
7	92083-028	SPRING,CHG PEDL RTRN	1				
8	13168-1034	LEVER,CHANGE	1				
9	130G0825	BOLT-FLANGED,8X25	1				KZ1300-A1/A2, KZ1300-A3
1-1	130P0625	BOLT-FLANGED,6X25	1				KZ1300-A3
10	92027-1139	COLLAR,CHANGE LEVER	1				
11	112G0616	BOLT-UPSET,6X16	2				
12	14014-1008	PLATE,POSITION,DRUM	1				
13	481J1200	CIRCLIP, 12MM	1				KZ1300-A1/A2
14	92001-1134	BOLT,POSITIONING	1				KZ1300-A1/A2
15	92022-1095	WASHER,4X11.5X1.0	1				KZ1300-A1/A2
16	92043-1044	PIN,POSITIONING	1				KZ1300-A1/A2
17	92081-1094	SPRING,POSITIONING	1				KZ1300-A1/A2
18	92001-131	BOLT,10MM	1				KZ1300-A3
19	92043-076	PIN-NEUTRAL POSITION	1				KZ1300-A3
20	92081-112	SPRING	1				KZ1300-A3

KZ1300-A3 / GENERATOR/REGULATOR



Illustrations (c) 1966-2003 Kawasaki Motors Corp., U.S.A. All rights reserved.

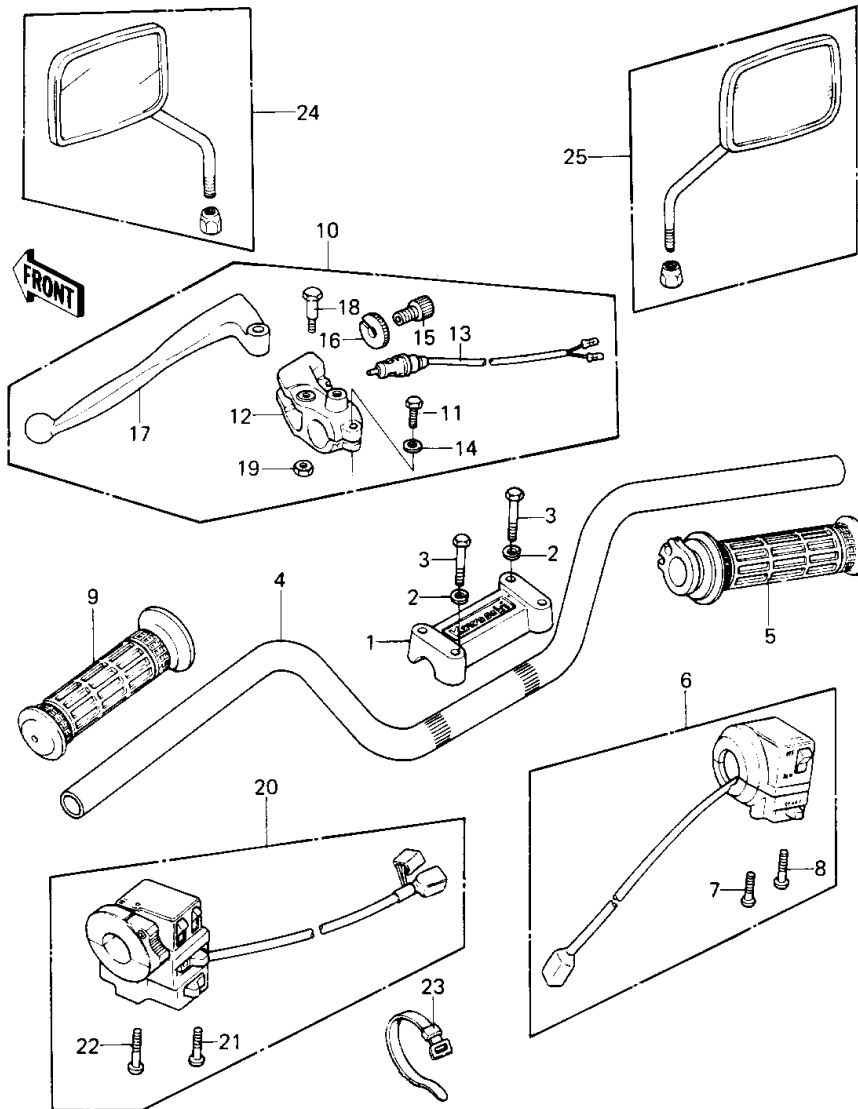
Illustration (c) 1966-2009 Kawasaki Motors Corp., U.S.A. All rights reserved

Part List

KZ1300-A3 / GENERATOR/REGULATOR

REF NUMBER	PART NUMBER	DESCRIPTION	QUANTITY	US	CA	CN	REMARKS
1	120Q0530A	BOLT,SOCKET,5X30	3				~E/NO. 009426, E/NO. 009427~
2	14025-1153	COVER,GENERATOR LEAD	1				
3	112G0625	BOLT-UPSET	2				~E/NO. 009426, E/NO. 009427~
4	410B0600	WASHER PLAIN 6MM	4				
5	21003-1020	STATOR ASSY	1				~E/NO. 009426, E/NO. 009427~
6	21007-1015	ROTOR	1				~E/NO. 009427~, E/NO.009427~
7	21066-1007	REGULATOR,VOLTAGE	1				~E/NO. 009426, E/NO. 009427~
8	220B0512	SCREW PAN HEAD 5X12	2				
9	461F0500	WASHER SPRING 5MM	2				
10	220B0610	SCREW PAN HEAD 6X10	2				
11	92001-1201	BOLT,10X40	1				
12	92037-1098	CLAMP,GENERATOR LEAD	1				~E/NO. 009426, ~E/NO. 009426
13	92037-1345	CLAMP,LEAD WIRE	2				
10-1	112G0610	BOLT,6X10	2				
12-1	92037-1207	CLAMP,GENERATOR LEAD	1				E/NO. 009427~

KZ1300-A3 / HANDLEBAR



Illustrations (c) 1966-2003 Kawasaki Motors Corp., U.S.A. All rights reserved.

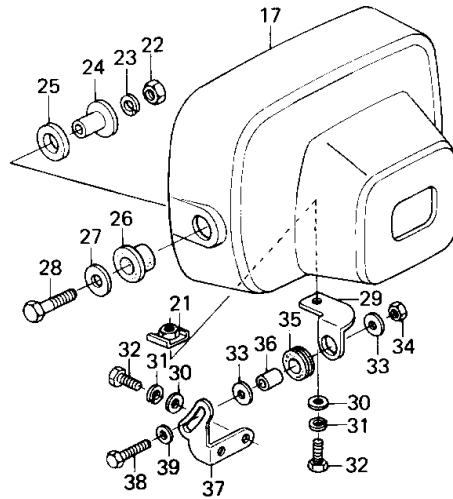
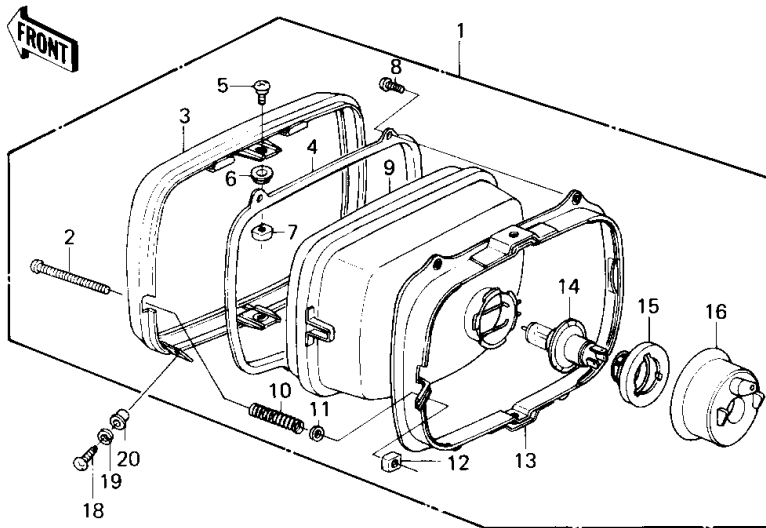
Illustration (c) 1966-2009 Kawasaki Motors Corp., U.S.A. All rights reserved

Part List

KZ1300-A3 / HANDLEBAR

REF NUMBER	PART NUMBER	DESCRIPTION	QUANTITY	US	CA	CN	REMARKS
1	46012-1007	HOLDER,HANDLEBAR	1				
2	461F0800	WASHER SPRING 8MM	4				
3	92001-1405	BOLT 8X38	4				
4	46003-1030	HANDLEBAR	1				
5	46019-1013	GRIP-ASSY,THROTTLE	1				KZ1300-A1/A2, KZ1300-A3
6	46091-1058	HOUSING ASSY,R.H	1				KZ1300-A1, KZ1300-A2
7	220B0530	SCREW PAN HEAD 5X30	1				
8	220B0540	SCREW-PAN-CROS	1				
9	46075-1020	GRIP,LH	1				KZ1300-A1-A2, KZ1300-A3
10	46076-1006	LEVER ASSY,CLUTCH	1				
11	110N0622	BOLT, HEX HEAD 6X22	1				
12	13091-1046	HOLDER,CLUTCH LEVER	1				
13	27043-002	SWITCH,CLUTCH	1				
14	410B0600	WASHER PLAIN 6MM	1				
15	46055-003	SCREW CABLE ADJUST	1				
16	46056-005	NUT-LOCK	1				
17	46092-1005	LEVER,CLUTCH	1				
18	92001-1075	BOLT,CLUTCH LEVER FIT	1				
19	92019-008	NUT	1				
20	46091-1059	HOUSING ASSY,L.H	1				
21	220B0535	SCREW-PAN-CROS	1				
22	220B0545	SCREW PAN HEAD 5X45	1				
23	92072-030	BAND,SHORT	4				
24	56001-5006	MIRROR-ASSY,LH&RH	1				KZ1300A1/A2, KZ1300A3
25	56001-5006	MIRROR-ASSY,LH&RH	1				KZ1300A1/A2, KZ1300-A3

KZ1300-A3 / HEADLIGHT



Illustrations (c) 1966-2003 Kawasaki
Motors Corp., U.S.A. All rights reserved.

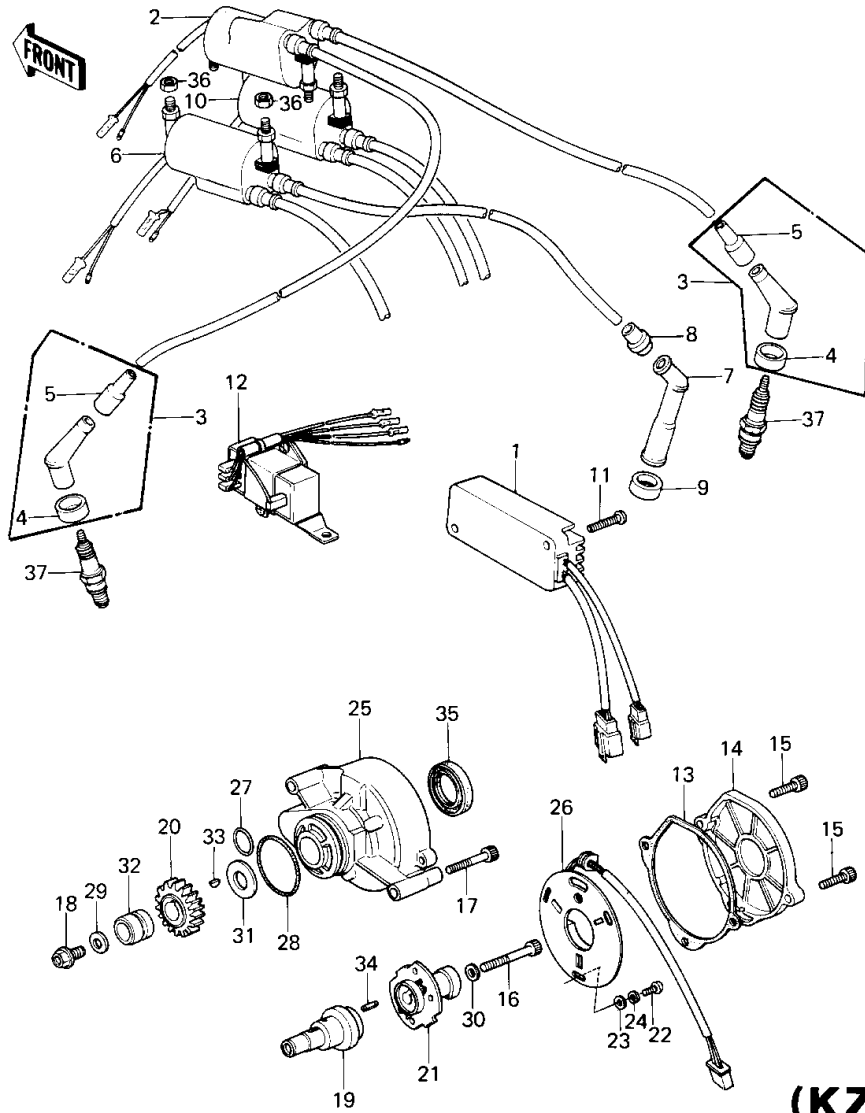
Illustration (c) 1966-2009 Kawasaki Motors Corp., U.S.A. All rights reserved

Part List

KZ1300-A3 / HEADLIGHT

REF NUMBER	PART NUMBER	DESCRIPTION	QUANTITY	US	CA	CN	REMARKS
1	23004-1075	LAMP-HEAD	1				
2	92009-1047	SCREW,HEAD LAMP LENS	1				
3	23006-1005	RIM,HEAD LAMP	1				
4	14020-1005	RETAINER,HEAD LAMP	1				
5	23019-023	SCREW-PAN HEAD,5X12	2				
6	23021-012	WASHER-PLAIN,5MM	2				
7	23020-023	NUT,HEAD LAMP RIM FIT	2				
8	220B0308	SCREW PAN HEAD 3X8	4				
9	23007-1013	LENS UNIT,HEAD LAMP	1				
10	92081-1103	SPRING,HEAD LAMP LENS	1				
11	23021-004	WASHER	1				
12	23020-018	NUT,4MM	1				
13	13091-1035	HOLDER,HEAD LAMP MOUN	1				
14	92069-1002	BULB,12V-60/55W	1				PHILIPS (H4 12342)
15	13091-1036	HOLDER,HEAD LAMP SOCK	1				
16	49016-1023	COVER,HEAD LAMP SOCKE	1				
17	23005-1024-21	BODY-COMP-HEAD LAMP,F	1				
18	92011-024	SCREW-PAN HEAD,5MM	2				
19	461F0500	WASHER SPRING 5MM	2				
20	23021-010	WASHER	2				
21	92015-1050	NUT,HEAD LAMP BODY FT	1				
22	317B0800	NUT,8M/M	2				
23	461F0800	WASHER SPRING 8MM	2				
24	92027-1131	COLLAR,HEAD LAMP FITT	2				
25	92075-1110	DAMPER,HEAD LAMP FITT	2				
26	92075-1109	DAMPER,HEAD LAMP FITT	2				
27	411D0800	WASHER,PLAIN,8MM	2				
28	92001-1405	BOLT 8X38	2				
29	11034-1289	BRACKET,HEAD LAMP BDY	1				
30	411B0600	WASHER PLAIN 6MM	3				
31	461F0600	WASHER SPRING 6MM	3				
32	112G0616	BOLT-UPSET,6X16	3				
33	92022-125	WASHER 6.5X20X1.6T	2				
34	92017-014	NUT,LOCK 6MM	1				
35	92075-209	DAMPER RUBBER,RR FENR	1				
36	92027-241	COLLAR	1				
37	11034-1290	BRACKET,HEAD LAMP BDY	1				KZ1300-A1/A2, KZ1300-A3
38	112G0630	BOLT-UPSET	1				
39	411B0600	WASHER PLAIN 6MM	1				

KZ1300-A3 / IGNITION (KZ1300-A1/A2)



Illustrations (c) 1966-2003 Kawasaki Motors Corp., U.S.A. All rights reserved.

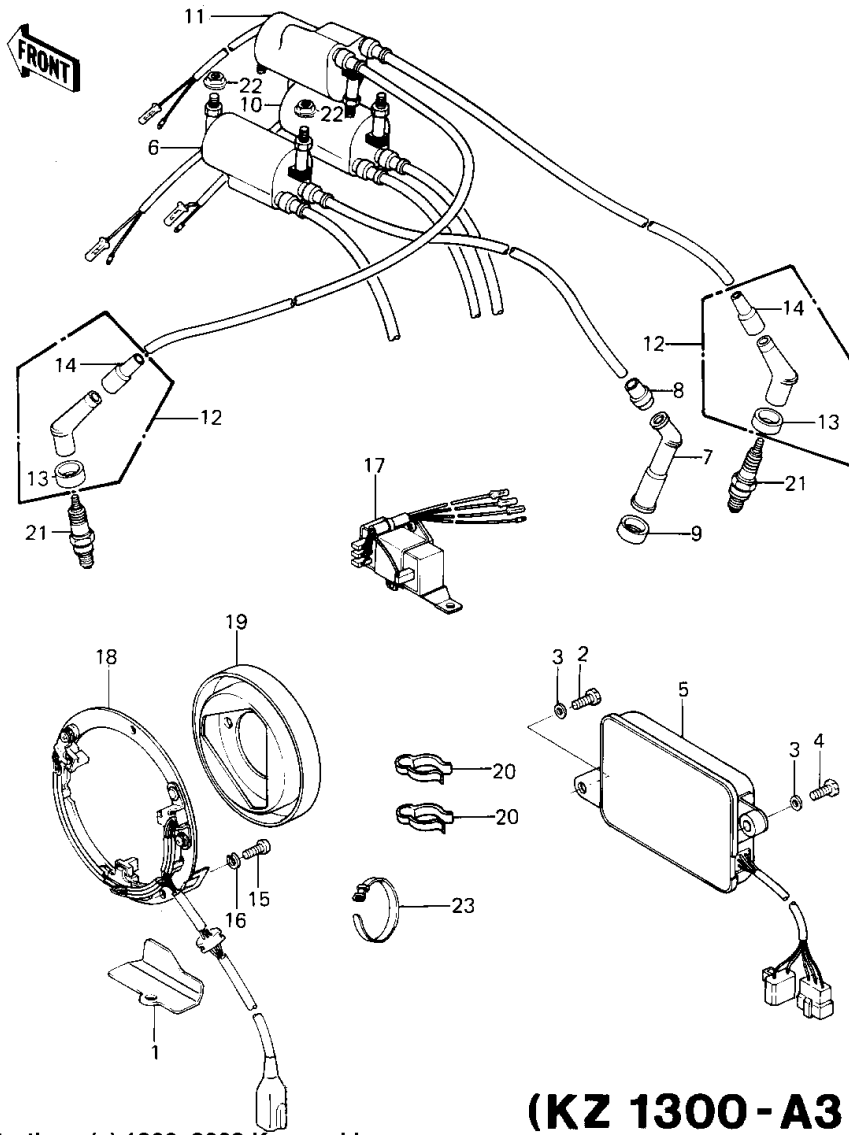
Illustration (c) 1966-2009 Kawasaki Motors Corp., U.S.A. All rights reserved

Part List

KZ1300-A3 / IGNITION (KZ1300-A1/A2)

REF NUMBER	PART NUMBER	DESCRIPTION	QUANTITY	US	CA	CN	REMARKS
1	21119-1005	IGNITER	1	X		X	
2	21121-1017	COIL,IGNITION,#1.6	1	X		X	
3	21160-1014	CAP SPARK PLUG	2	X		X	
4	21131-004	GROMMET-PLUG CAP,A	2	X		X	NO 1 6
5	21132-005	GROMMET,SPARK PLG CAP	2	X		X	NO 1 6
6	21121-1018	COIL,IGNITION,#2.5	1	X		X	
7	21130-1010	CAP-SPARK PLUG	4	X		X	
8	21131-005	GROMMET,HIGH TENSION	4	X		X	NO 2 3 4 5
9	21131-006	GROMMET,PLUG CAP	4	X		X	NO 2 3 4 5
10	21121-1019	COIL,IGNITION,#3.4	1	X		X	
11	220B0625	SCREW PAN HEAD 6X25	2	X		X	
12	28018-1014	RESISTOR,IGNITIN,COIL	1	X		X	
13	11009-1086	GASKET,PULSING C.CAP	1	X		X	
14	11012-1051	CAP,PULSING COIL	1	X		X	
15	120P0620	BOLT,6X20	2	X		X	
16	120P0850	BOLT,8X50	1	X		X	
17	120P0640	BOLT,SOCKET,6X40	2	X		X	
18	130G0814	BOLT,FLANGED,8X14	1	X		X	
19	13107-1010	SHAFT,TIMING ADVANCER	1	X		X	
20	16085-1009	GEAR,TIMING ADVANCER	1	X		X	
21	21148-1008	ADVANCER,TIMING	1	X		X	
22	220B0512	SCREW PAN HEAD 5X12	3	X		X	
23	410B0500	WASHER PLAIN 5MM	3	X		X	
24	461F0500	WASHER SPRING 5MM	3	X		X	
25	32099-1007	CASE,TIMING ADVANCER	1	X		X	
26	59026-1006	COIL,PULSING	1	X		X	E/NO 00122-
27	670B2022	"O" RING,22MM	1	X		X	
28	670B3045	"O" RING,45M/M	1	X		X	
29	92022-064	WASHER,PLAIN	1	X		X	
30	92022-1561	WASHER,8.5X20X1.6	1	X		X	
31	92026-1029	SPACER,14.3X30X1.0	1	X		X	
32	92027-1140	COLLAR,14X20X20	1	X		X	
33	92038-010	WOODRUFF KEY IDLE GR	1	X		X	
34	555A0408	PIN-SPRING,4X8	1	X		X	
35	92049-1027	OIL SEAL,SC32435.5	1	X		X	
36	92017-014	NUT,LOCK 6MM	6	X		X	
37	B8ES	SPARK PLUG B8ES	6			X	KZ1300-A1, KZ1300-A1, KZ1300-A1, KZ1300-A1, KZ1300-A2, KZ1300-A2, KZ1300-A2, KZ1300-A2, KZ1300-A2, KZ1300-A2, KZ1300-A2, KZ1300-A2, KZ1300-A2, KZ1300-A2, KZ1300-A2, KZ1300-A2, KZ1300-A2, KZ1300-A2, KZ1300-A2, KZ1300-A2, KZ1300-A2

KZ1300-A3 / IGNITION (KZ1300-A3)



(KZ 1300 - A3)

Illustrations (c) 1966-2003 Kawasaki Motors Corp., U.S.A. All rights reserved.

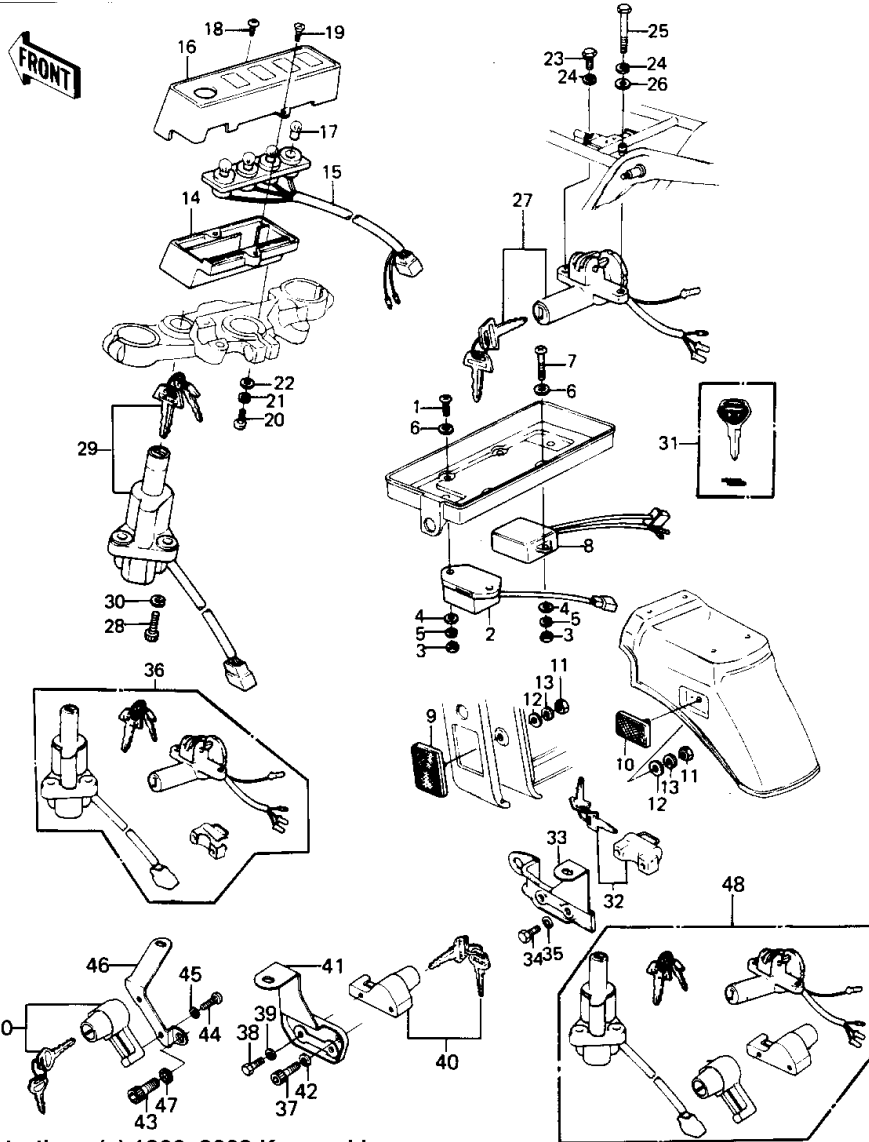
Illustration (c) 1966-2009 Kawasaki Motors Corp., U.S.A. All rights reserved

Part List

KZ1300-A3 / IGNITION (KZ1300-A3)

REF NUMBER	PART NUMBER	DESCRIPTION	QUANTITY	US	CA	CN	REMARKS
1	14025-1273	COVER,LEAD WIRE	1	X		X	
2	112G0610	BOLT,6X10	1	X		X	
3	411B0600	WASHER PLAIN 6MM	2	X		X	
4	112B0622	BOLT 6X22	1	X		X	
5	21119-1023	IGNITER	1	X		X	
6	21121-1018	COIL,IGNITION,#2.5	1	X		X	
7	21130-1010	CAP-SPARK PLUG	4	X		X	
8	21131-005	GROMMET,HIGH TENSION	4	X		X	NO 2 3 4 5
9	21131-006	GROMMET,PLUG CAP	4	X		X	NO 2,3,4,5
10	21121-1019	COIL,IGNITION,#3.4	1	X		X	
11	21121-1017	COIL,IGNITION,#1.6	1	X		X	
12	21160-1014	CAP SPARK PLUG	2	X		X	NO. 1,6
13	21131-004	GROMMET-PLUG CAP,A	2	X		X	NO. 1,6
14	21132-005	GROMMET,SPARK PLG CAP	2	X		X	NO. 1,6
15	220B0512	SCREW PAN HEAD 5X12	3	X		X	
16	461F0500	WASHER SPRING 5MM	3	X		X	
17	28018-1014	RESISTOR,IGNITIN,COIL	1	X		X	
18	59026-1014	COIL-PULSING	1	X		X	
19	21007-1035	ROTOR,PULSING COIL	1	X		X	
20	92037-093	CLAMP,CABLE	2	X		X	
21	BP6ES	SPARK PLUG BP6ES	6	X			OPTION, OPTION, OPTION, OPTION
21	BPR6ES	SPARK PLUG BPR6ES	6			X	
21	BPR6ES	SPARK PLUG BPR6ES	6			X	OPTION, OPTION, OPTION, OPTION
22	92015-1078	NUT-6MM	6	X		X	
23	92072-035	BAND-RUBBER	1	X		X	

KZ1300-A3 / IGNITION SWITCH/LOCKS/REFLECTORS



Illustrations (c) 1966-2003 Kawasaki Motors Corp., U.S.A. All rights reserved.

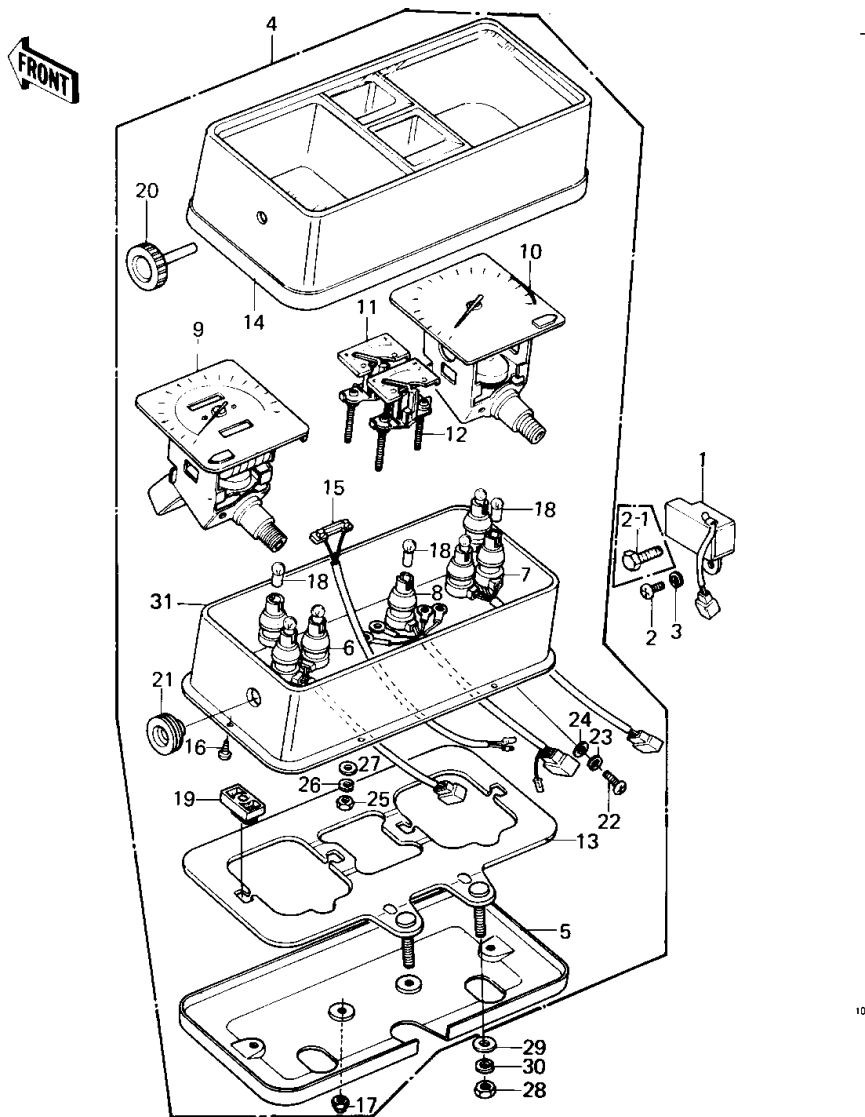
Illustration (c) 1966-2009 Kawasaki Motors Corp., U.S.A. All rights reserved

Part List

KZ1300-A3 / IGNITION SWITCH/LOCKS/REFLECTORS

REF NUMBER	PART NUMBER	DESCRIPTION	QUANTITY	US	CA	CN	REMARKS
1	220B0620	SCREW PAN HEAD 6X20	2				
2	27010-1024	SWITCH,RESERVE LIGHTI	1				
3	311B0600	NUT 6MM	4				
4	410B0600	WASHER PLAIN 6MM	4				
5	461F0600	WASHER SPRING 6MM	4				NOT REQUIRED FOR 92017-014
6	92022-024	WASHER PLAIN	4				
7	220B0635	SCREW PAN HEAD 6X35	2				
8	27010-1016	SWITCH,TURN SIGNAL OP	1				
9	28012-1003	REFLECTOR,REFLEX(FRON	2				FRONT
10	28012-1054	REFLECTOR-REFLEX,RR	2				REAR
11	311B0500	NUT,5MM	4				
12	411B0500	WASHER PLAIN 5MM	4				
13	461F0500	WASHER SPRING 5MM	4				
14	14025-1117	COVER,PILOT LAMP,LOWE	1				
15	23008-1041	SOCKET ASSY,PILOT LAM	1				
16	25023-1014	COVER,PILOT LAMP,UPPE	1				
17	92069-018	BULB 12V 3W	4				
18	92009-1073	SCREW,TAPPING,3.5X10	1				
19	92009-1074	SCREW,CNTSNK HED,4X10	1				
20	220B0516A	SCREW, PAN HEAD, 5 X 16	2				
21	461F0500	WASHER SPRING 5MM	2				
22	411B0500	WASHER PLAIN 5MM	2				
23	112G0612	BOLT-UPSET,6X12	1				
24	461F0600	WASHER SPRING 6MM	2				
25	112G0645	BOLT-UPSET	1				
26	411B0600	WASHER PLAIN 6MM	1				
27	27016-5027	LOCK ASSY,SEAT	1				
28	120P0822	BOLT,SOCKET,8X22	2				
29	27016-5026	IGNITION&STEERING ASY	1				
30	461F0800	WASHER SPRING 8MM	2				
31	27008-1103	KEY-LOCK,BLANK	AR				
32	27016-5030	LOCK ASSY,HELMET	1				KZ1300-A1/A2
33	32074-1009	BRACKET,HELMET LOCK	1				KZ1300-A1/A2
34	114G0812	BOLT SMALL	2				KZ1300-A1/A2
35	461F0500	WASHER SPRING 5MM	2				KZ1300-A1/A2
36	27004-5371	SWITCH-ASSY	1				KZ1300-A1/A2
37	120S0610	BOLT-SOCKET	1				KZ1300-A3
38	110B0510	BOLT HEX HEAD 5X10	2				KZ1300-A3
39	461F0500	WASHER SPRING 5MM	2				KZ1300-A3
40	27016-5036	LOCK ASSY,HELMET	2				KZ1300-A3
41	32074-1021	BRACKET-LOCK,HLMT,RH	1				KZ1300-A3
42	461F0600	WASHER SPRING 6MM	1				KZ1300-A3, KZ1300-A3
43	120S0814	BOLT-SOCKET	1				KZ1300-A3
44	220B0510	SCREW PAN HEAD 5X10	1				KZ1300-A3
45	461F0500	WASHER SPRING 5MM	1				KZ1300-A3
46	32074-1020	BRACKET-LOCK,HLMT,LH	1				KZ1300-A3
47	461F0800	WASHER SPRING 8MM	1				KZ1300-A3
48	27004-5371	SWITCH-ASSY	1				KZ1300-A3
14~19	23016-1014	LAMP ASSY,PILOT	1				

KZ1300-A3 / METERS



Illustrations (c) 1966-2003 Kawasaki Motors Corp., U.S.A. All rights reserved.

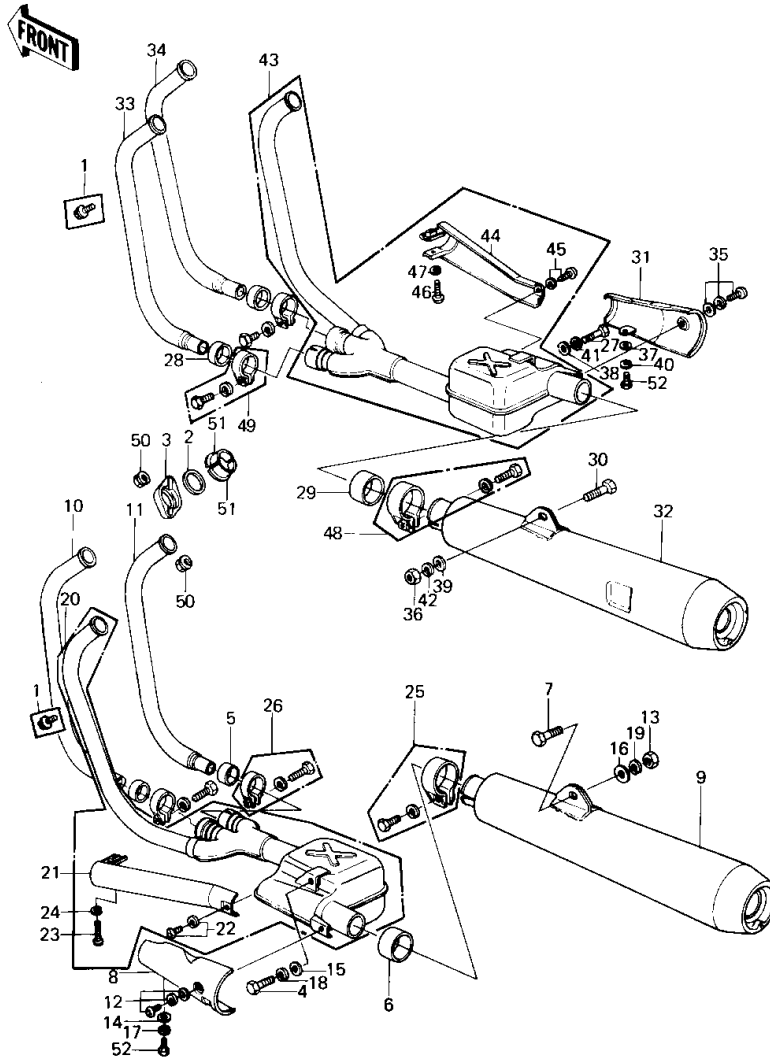
Illustration (c) 1966-2009 Kawasaki Motors Corp., U.S.A. All rights reserved

Part List

KZ1300-A3 / METERS

REF NUMBER	PART NUMBER	DESCRIPTION	QUANTITY	US	CA	CN	REMARKS
1	21066-1006	REGULATOR,VOLTAGE	1				
2	220B0612	SCREW PAN HEAD 6X12	1				
3	461F0600	WASHER SPRING 6MM	1				
4	25001-1299	METER ASSY,MPH	1				KZ1300-A1, F/NO. 00101~009819, F/NO. 009820~, F/NO.006201~009819, F/NO. 009Z820~
5	14025-1098	COVER,METER,LOWER	1				
6	23008-1033	SOCKET ASSY,SPEEDOMET	1				
7	23008-1034	SOCKET ASSY,TACHOMETE	1				
8	23008-1035	SOCKET ASSY,FUEL & TE	1				
9	25005-1044	SPEEDOMETER ASSY,MPH	1			X	KZ1300-A1, KZ1300- A2/A3, (CANADA)
10	25015-1037	TACHOMETER UNIT	1				
11	28011-1003	METER,FUEL	1				
12	28011-1007	METER,TEMPERATURE	1				F/NO.00101~009819, F/NO. 009820~
13	25008-1015	BRACKET,METER	1				
14	25023-1010	COVER,METER,UPPER	1				
15	27010-1032	SENSOR,DISTANCE	1				
16	92008-012	SCREW,TAPPING	6				
17	322N0500	NUT-CAP,5MM	4				
18	92069-018	BULB 12V 3W	7				
19	92075-1140	DAMPER,METER BRACKET	4				
2-1	112G0612	BOLT-UPSET,6X12	1				
20	92077-1008	KNOB,TRIP	1				
21	92093-1029	SEAL,TRIP KNOB	1				
22	220B0408	SCREW PAN HEAD 4X8	4				
23	461F0400	WASHER SPRING 4MM	4				
24	410B0400	WASHER PLAIN 4MM	4				
25	311B0400	NUT,4MM	8				
26	461F0400	WASHER SPRING 4MM	8				
27	410B0400	WASHER PLAIN 4MM	4				
28	317B0800	NUT,8M/M	2				
29	411B0800	WASHER PLAIN 8MM	2				
30	461F0800	WASHER SPRING 8MM	2				
31	14025-1805	COVER,METER CASE	1				

KZ1300-A3 / MUFFLERS



Illustrations (c) 1966-2003 Kawasaki Motors Corp., U.S.A. All rights reserved.

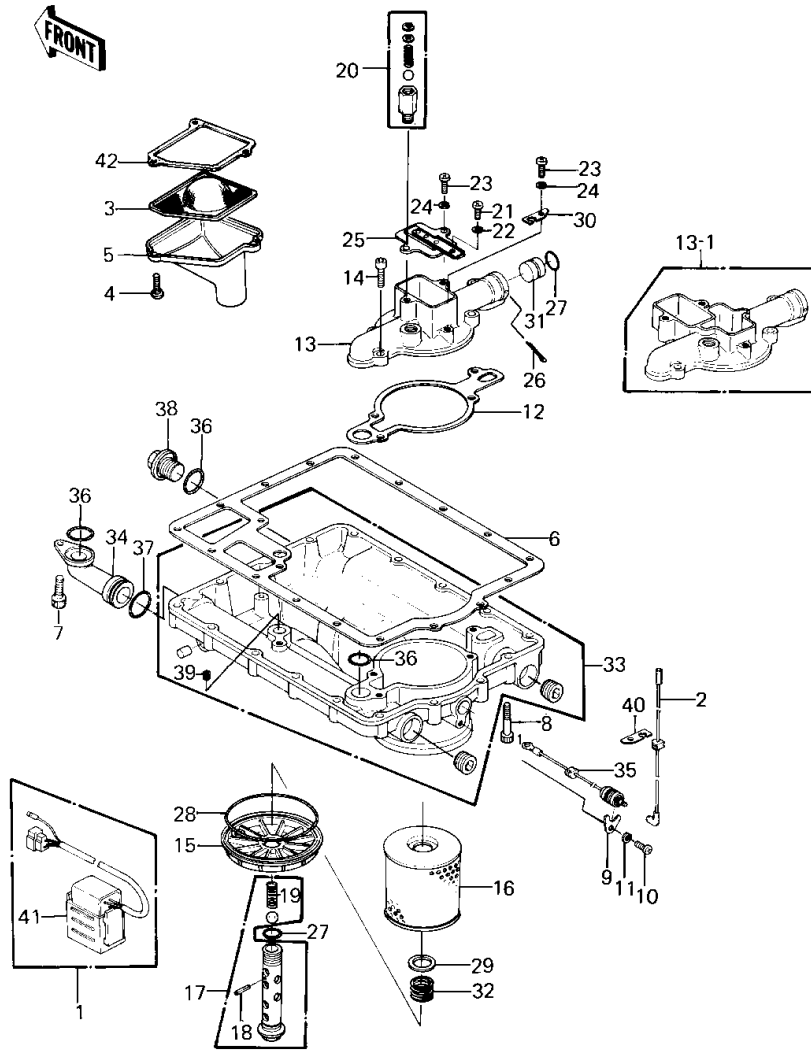
Illustration (c) 1966-2009 Kawasaki Motors Corp., U.S.A. All rights reserved

Part List

KZ1300-A3 / MUFFLERS

REF NUMBER	PART NUMBER	DESCRIPTION	QUANTITY	US	CA	CN	REMARKS
1	130N0610	BOLT,FLANGED,6X10	6				
2	11009-1866	GASKET,EXHAUST PIPE H	6				
3	18069-1010	HOLDER,EXHAUST PIPE	6				
4	114N0825	BOLT,8X25	1				
5	11060-1051	GASKET,MUFFLER CONNEC	2				
6	11009-1666	GASKET,EXHAUST PIPE C	1				
7	92001-1253	BOLT,HEX HEAD 10X40	1				
8	14025-1149	COVER,MUFFLER,L.H,RER	1				
9	18002-1375	BODY-COMP-MUFFLER,LH	1				
10	18049-1164	PIPE-EXHAUST,#2	1				
11	18049-1165	PIPE-EXHAUST,#3	1				
12	92009-1098	SCREW,6X10	1				
13	314B1000	NUT,10MM	1				
14	411B0600	WASHER PLAIN 6MM	1				
15	411D0800	WASHER,PLAIN,8MM	1				
16	411B1000	WASHER PLAIN 10MM	1				
17	461F0600	WASHER SPRING 6MM	1				
18	461S0800	WASHER SPRING 8MM	1				
19	461F1000	WASHER SPRING 10MM	1				
20	49070-1021	CHAMBER,POWER,L.H.	1				
21	14025-1147	COVER,MUFFLER,L.H,FR	1				
22	92009-1088	SCREW,6X12	1				
23	220B0640	SCREW PAN HEAD 6X40	1				
24	461F0600	WASHER SPRING 6MM	1				
25	92037-1105	CLAMP,MUFFLER	1				
26	92037-1243	CLAMP,MUFFLER,37MM	2				
27	114N0855	BOLT,8X55	1				
28	11060-1051	GASKET,MUFFLER CONNEC	2				
29	11009-1666	GASKET,EXHAUST PIPE C	1				
30	92001-1253	BOLT,HEX HEAD 10X40	1				
31	14025-1150	COVER,MUFFLER,R.H,RER	1				
32	18002-1376	BODY-COMP-MUFFLER,RH	1				
33	18049-1166	PIPE-EXHAUST,#4	1				
34	18049-1167	PIPE-EXHAUST,#5	1				
35	92009-1098	SCREW,6X10	1				
36	314B1000	NUT,10MM	1				
37	411B0600	WASHER PLAIN 6MM	1				
38	411D0800	WASHER,PLAIN,8MM	1				
39	411B1000	WASHER PLAIN 10MM	1				
40	461F0600	WASHER SPRING 6MM	1				
41	461S0800	WASHER SPRING 8MM	1				
42	461F1000	WASHER SPRING 10MM	1				
43	49070-1102	MUFFLER-COMP,RH	1				
44	14025-1148	COVER,MUFFLER,R.H,FR	1				
45	92009-1088	SCREW,6X12	1				
46	220B0640	SCREW PAN HEAD 6X40	1				
47	461F0600	WASHER SPRING 6MM	1				
48	92037-1105	CLAMP,MUFFLER	1				
49	92037-1243	CLAMP,MUFFLER,37MM	2				
50	92015-1078	NUT-6MM	12				
51	92027-1142	COLLAR,EXHAUST PIPE	12				
52	112G0612	BOLT-UPSET,6X12	2				

KZ1300-A3 / OIL PAN/OIL FILTER (E/NO. 016038)



(E/Nc

Illustrations (c) 1966-2003 Kawasaki Motors Corp., U.S.A. All rights reserved.

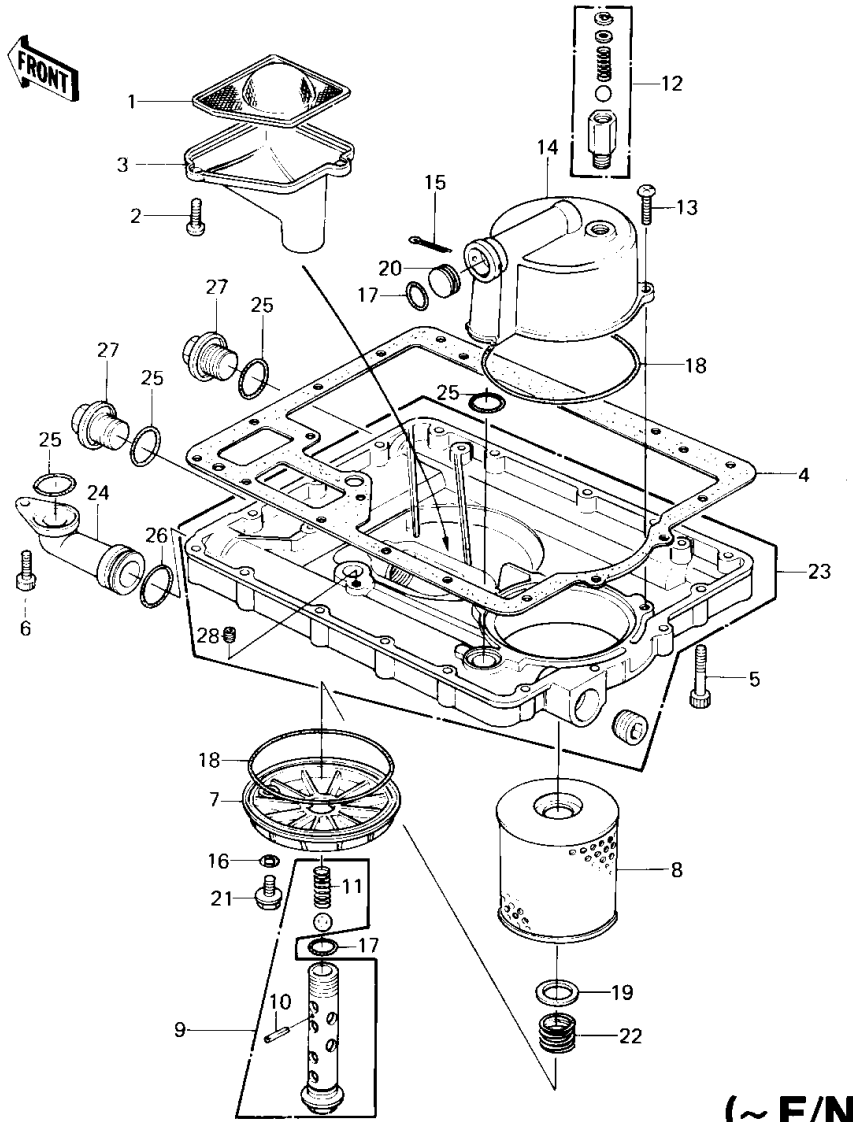
Illustration (c) 1966-2009 Kawasaki Motors Corp., U.S.A. All rights reserved

Part List

KZ1300-A3 / OIL PAN/OIL FILTER (E/NO. 016038)

REF NUMBER	PART NUMBER	DESCRIPTION	QUANTITY	US	CA	CN	REMARKS
1	25025-1003	WARNER,OIL LEVEL	1				E/NO.010638-012373, KZ1300-A3
2	26011-1085	WIRE,LEAD	1				
3	14043-1008	FILTER,OIL	1				
4	220B0620	SCREW PAN HEAD 6X20	3				
5	32099-1017	CASE,OIL FILTER	1				
6	11009-1093	GASKET,OIL PAN	1				
7	120P0620	BOLT,6X20	1				
8	120P0635	BOLT,SOCKET,6X35	17				
9	13091-1080	HOLDER	1				
10	220B0614	SCREW PAN HEAD 6X14	1				
11	461F0600	WASHER SPRING 6MM	1				
12	11009-1198	GASKET,OIL FILTER CAP	1				
13	14075-5011	CAP ASSY	1				E/NO.010638~011587
14	120P0635	BOLT,SOCKET,6X35	4				
15	14025-1170	COVER,OIL FILTER	1				
16	16099-002	ELEMENT,OIL FILTER	1				
17	16126-1006	BOLT ASSY,OIL FILTER	1				
18	92043-111	SPRING PIN	1				
19	92081-133	SPRING,PISTON	1				
20	16130-1001	RELEAF VALVE ASSY	1				
21	220B0406	SCREW PAN HEAD 4X6	1				
22	461F0400	WASHER SPRING 4MM	1				
23	220B0614	SCREW PAN HEAD 6X14	3				
24	461F0600	WASHER SPRING 6MM	3				
25	27010-1038	SWITCH,OIL LEVEL	1				
26	550D2040	PIN,COTTER,2.0X40	1				
27	670B2016	"O" RING,16MM	2				
28	671B2595	"O" RING,95MM	1				
29	92022-1012	WASHER,20.5X30X1.0	1				
30	92037-1211	CLAMP,LEAD WIRE	1				
31	92066-1023	PLUG,OIL GALLERY,20MM	1				
32	92081-1018	SPRING,OIL FILTER	1				
33	49034-5005	PAN,OIL	1				
34	52014-1002	ELBOW,OIL PASSAGE	1				
35	14075-5011	CAP ASSY	1				E/NO.010638~012373, E/NO.011588
36	670B2022	"O" RING,22MM	2				
37	671B2525	"O" RING,25MM	1				
38	92001-1183	PLUG,OIL DRAIN	1				
39	92062-011	NOZZLE,OIL BIAS	1				
40	92037-1211	CLAMP,LEAD WIRE	1				
41	21064-003	BRACKET,RUBBER,WARNER	1				
42	11009-1193	GASKET,OIL FILTER	1				E/NO.008759~010637
13-1	11012-1148	CAP,OIL FILTER	1				E/NO.011588~

KZ1300-A3 / OIL PAN/OIL FILTER (~E/NO. 010637)



Illustrations (c) 1966-2003 Kawasaki Motors Corp., U.S.A. All rights reserved.

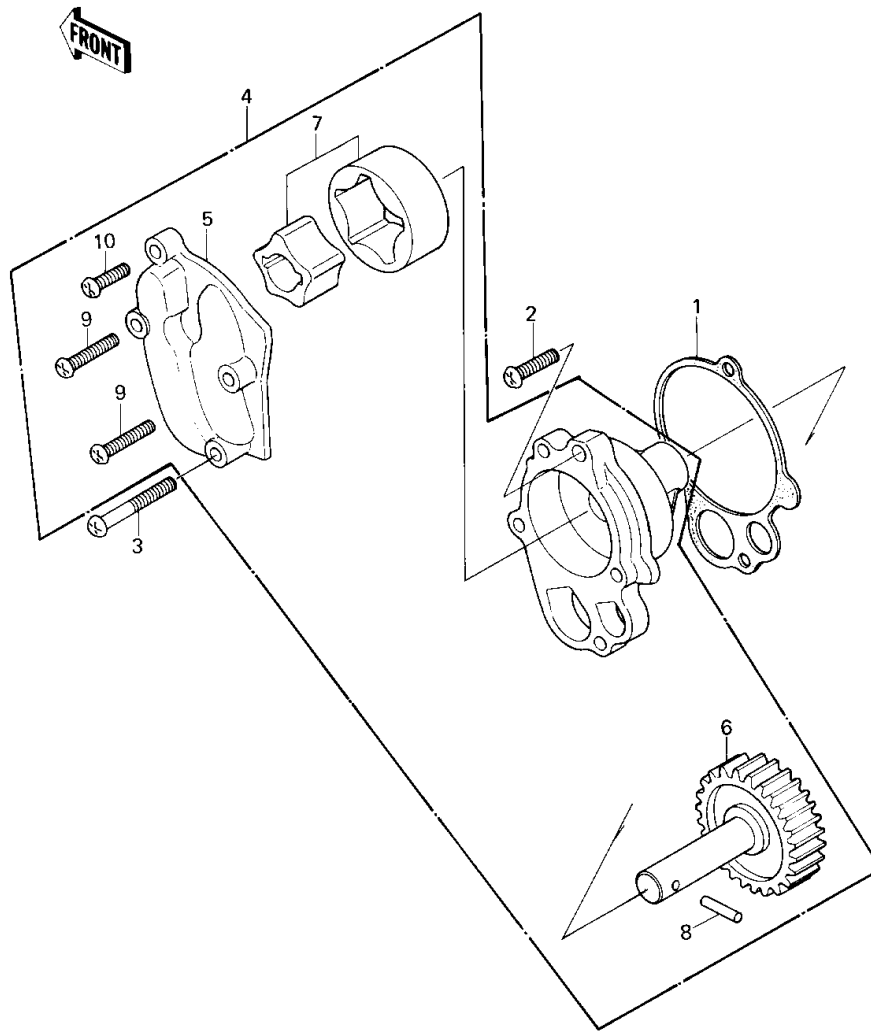
Illustration (c) 1966-2009 Kawasaki Motors Corp., U.S.A. All rights reserved

Part List

KZ1300-A3 / OIL PAN/OIL FILTER (~E/NO. 010637)

REF NUMBER	PART NUMBER	DESCRIPTION	QUANTITY	US	CA	CN	REMARKS
1	14043-1007	FILTER,OIL	1				
2	220B0620	SCREW PAN HEAD 6X20	3				
3	32099-1006	CASE,OIL FILTER	1				
4	11009-1093	GASKET,OIL PAN	1				
5	120P0635	BOLT,SOCKET,6X35	17				
6	120P0620	BOLT,6X20	1				
7	14025-1170	COVER,OIL FILTER	1				E/NO. 003209-
8	16099-002	ELEMENT,OIL FILTER	1				
9	16126-1006	BOLT ASSY,OIL FILTER	1				
10	92043-111	SPRING PIN	1				
11	92081-133	SPRING,PISTON	1				
12	16130-1001	RELIEF VALVE ASSY	1				
13	220B0620	SCREW PAN HEAD 6X20	2				
14	32099-1008	CASE,OIL FILTER	1				
15	550D2040	PIN,COTTER,2.0X40	1				
16	670B1508	"O" RING,8MM	1				NOT REQUIRED FOR 14025-1170-
17	670B2016	"O" RING,16MM	2				
18	671B2595	"O" RING,95MM	2				
19	92022-1012	WASHER,20.5X30X1.0	1				
21	92066-1026	PLUG,DRAIN,8X10	1				NOT REQUIRED FOR 14025-1170
22	92081-1018	SPRING,OIL FILTER	1				
23	49034-5008	PAN-OIL	1				
24	52014-1002	ELBOW,OIL PASSAGE	1				
25	670B2022	"O" RING,22MM	4				
26	671B2525	"O" RING,25MM	1				
27	92001-1183	PLUG,OIL DRAIN	2				
28	92062-015	NOZZLE	1				NOT REQUIRED FOR 49034-5002

KZ1300-A3 / OIL PUMP



Illustrations (c) 1966-2003 Kawasaki Motors Corp., U.S.A. All rights reserved.

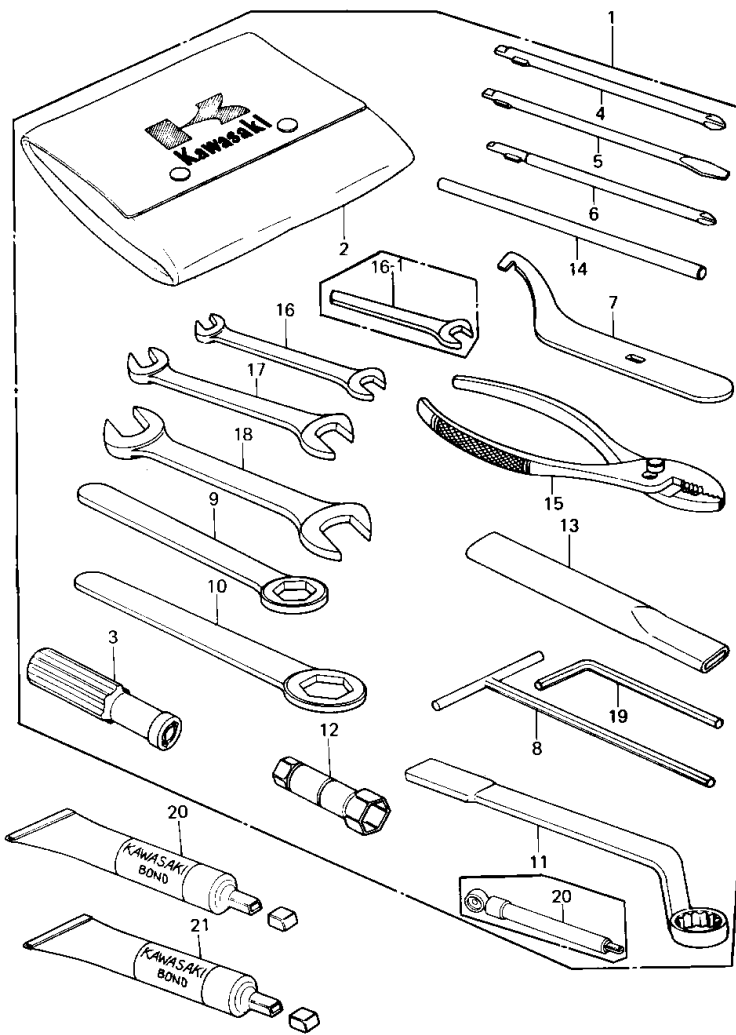
Illustration (c) 1966-2009 Kawasaki Motors Corp., U.S.A. All rights reserved

Part List

KZ1300-A3 / OIL PUMP

REF NUMBER	PART NUMBER	DESCRIPTION	QUANTITY	US	CA	CN	REMARKS
1	11009-1088	GASKET,OIL PUMP	1				
2	220B0625	SCREW PAN HEAD 6X25	1				
3	220B0640	SCREW PAN HEAD 6X40	1				
4	49042-1001	PUMP,OIL	1				
5	16142-1005	COVER,OIL PUMP	1				
6	13216-1018	GEAR ASSY,OIL PUMP	1				
7	16154-1007	ROTOR ASSY,OIL PUMP	1				
8	92043-1061	PIN,DOWEL 5X17.8	1				
9	220B0628	SCREW PAN HEAD 6X28	2				
10	220B0618	SCREW PAN HEAD 6X18	1				

KZ1300-A3 / OWNER TOOLS



Illustrations (c) 1966-2003 Kawasaki Motors Corp., U.S.A. All rights reserved.

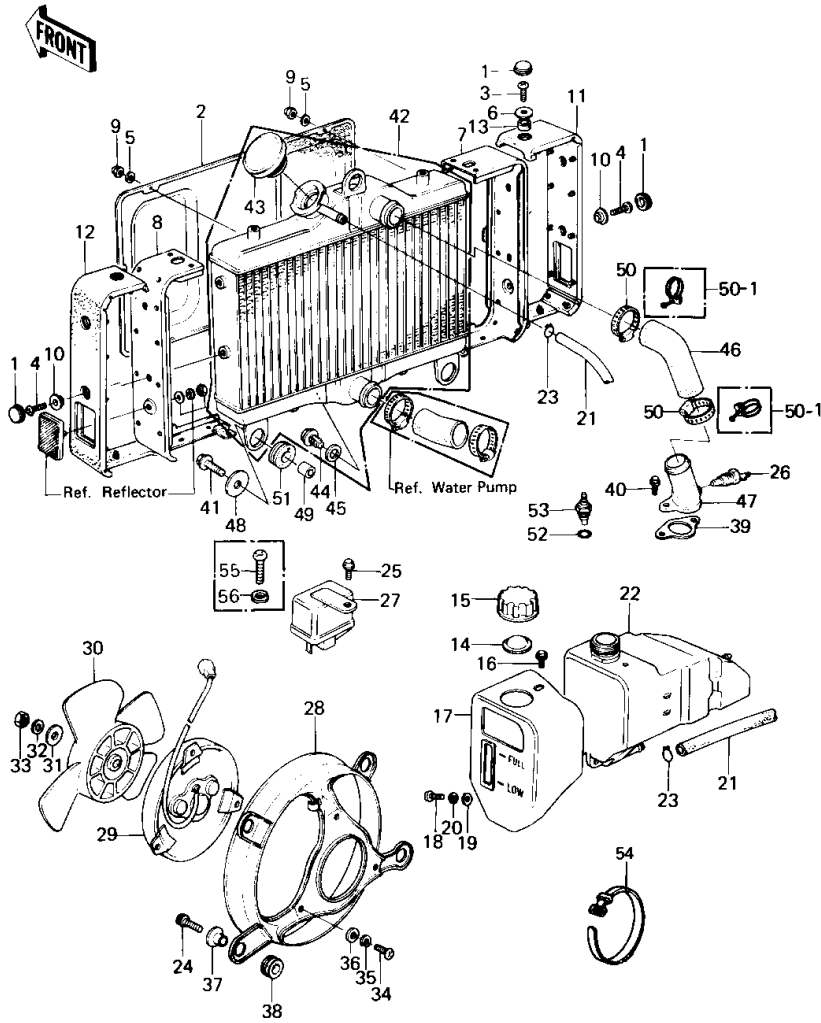
Illustration (c) 1966-2009 Kawasaki Motors Corp., U.S.A. All rights reserved

Part List

KZ1300-A3 / OWNER TOOLS

REF NUMBER	PART NUMBER	DESCRIPTION	QUANTITY	US	CA	CN	REMARKS
1	56007-1028	56007-1045 (Canada)	1				KZ1300-A1/A2, KZ1300-A1/A2, KZ1300 -A3
2	56008-1012	BAG,TOOL	1				
3	92106-1002	GRIP,SCREW DRIVER	1				
4	92107-1052	TOOL-DRIVER	1				
5	92107-007	92107-1052 (Canada)	1				
6	92107-008	92107-1002 (Canada)	1				
7	92110-1014	WRENCH,HOOK	1				USE FOR 56007- 1028/1045
8	92110-1017	WRENCH,ALLEN	1				
9	92110-1148	TOOL-WRENCH,BOX END,2	1				
10	92110-1150	TOOL-WRENCH,BOX END,2	1				
11	92110-1026	WRENCH,17M/M	1				
12	92110-1027	WRENCH,SPARK PLUG	1				
13	92111-004	BAR, BOX END WRENCH	1				
14	92111-005	BAR,SPARK PLUG WRENCH	1				USE FOR 56007- 1028
15	92112-003	PLIERS,160MM	1				
16	92126-001	WRENCH,OPEN,8X10	1				USE FOR 56007- 1028
17	92126-002	WRENCH,OPEN END,12X13	1				USE FOR 56007- 1028, USE FOR 56007-1130, USE FOR 56007-1028
18	92110-1153	TOOL-WRENCH,OPEN END,	1				
19	92127-003	WRENCH,ALLEN,6MM	1				USE FOR 56007- 1028/1045
20	52005-1031	GAUGE,AIR,3.5KG/CM2	1				USE FOR 56007 1130
21	92104-002	LIQUID GASKET	AR				
22	56019-120	BOND,#10	AR				
16-1	92110-1031	WRENCH,OPEN END,10M/M	1				USE FOR 56007- 1045

KZ1300-A3 / RADIATOR/FAN/COOLANT TANK



Illustrations (c) 1966-2003 Kawasaki Motors Corp., U.S.A. All rights reserved.

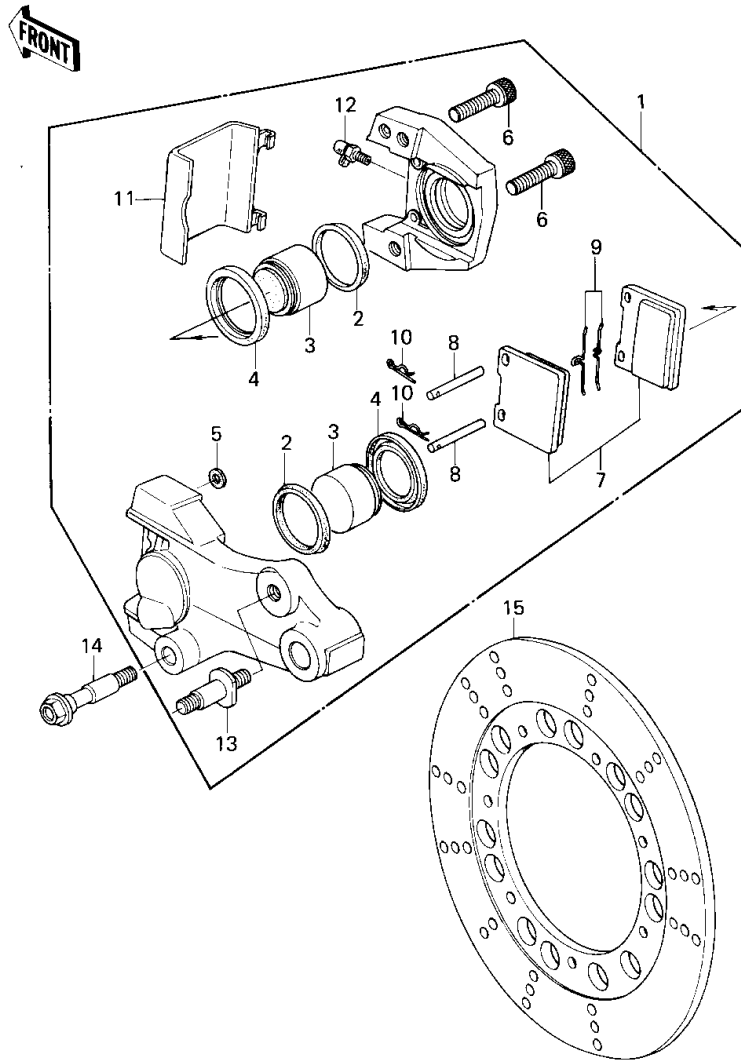
Illustration (c) 1966-2009 Kawasaki Motors Corp., U.S.A. All rights reserved

Part List

KZ1300-A3 / RADIATOR/FAN/COOLANT TANK

REF NUMBER	PART NUMBER	DESCRIPTION	QUANTITY	US	CA	CN	REMARKS
1	11012-1077	CAP,RADIATOR GUARD	6				
2	14037-1001	SCREEN,RADIATOR	1				
3	220B0610	SCREW PAN HEAD 6X10	2				
4	220B0616	SCREW PAN HEAD 6X16	6				
5	410B0600	WASHER PLAIN 6MM	6				
6	42046-008	WASHER SHOCK DAMPER	2				
7	55020-1036	GUARD,RADIATOR,R.H	1				
8	55020-1037	GUARD,RADIATOR,L.H	1				
9	322C0600	NUT-CAP,6MM,BLACK	6				
10	92027-1189	COLLAR,RADIATOR GUARD	6				
11	92075-1210	DAMPER,RADIATOR,R.H	1				
12	92075-1211	DAMPER,RADIATOR,L.H	1				
13	92092-1005	BUSHING,RBR,14X22X8.5	2				
14	11009-1145	GASKET,RESERVE TANK	1				
15	11012-1084	CAP,RESERVE TANK	1				
16	130B0610	BOLT,FLANGED,6X10	1				
17	14025-1152	COVER,RESERVE TANK	1				
18	220B0616	SCREW PAN HEAD 6X16	1				
19	411B0600	WASHER PLAIN 6MM	1				
20	461F0600	WASHER SPRING 6MM	1				
21	39062-1003	HOSE,COOLNG,7X12X1500	1				
22	43078-1007	TANK,RESERVE	1				
23	92037-1104	CLAMP-HOSE	2				
24	120P0620	BOLT,6X20	4				
25	131B0612	BELT,FLANGED,6X12	1				KZ1300-A1/A2
26	27010-1026	SWITCH,FAN	1				E/NO.000101-009426, E/NO.009427-
27	27034-1002	RELAY,FAN	1				
28	14073-1014	SHROUD,FAN	1				
29	21174-1001	MOTOR,FAN	1				
30	59041-1001	FAN,COOLING	1				
31	92022-1089	WASHER,FAN	1				
32	463H0500	WASHER LOCK 5MM	1				
33	311B0500	NUT,5MM	1				
34	220B0510	SCREW PAN HEAD 5X10	3				
35	461F0500	WASHER SPRING 5MM	3				
36	411B0500	WASHER PLAIN 5MM	3				
37	92027-1188	COLLAR,FAN	4				
38	92075-1167	DAMPER,FAN	4				
39	11009-1100	GASKET,HOSE FITTING	1				
40	130B0625	BOLT,FLANGED,6X25	2				
41	130B0825	BOLT,FLANGED,8X25	3				
42	39061-1053	RADIATOR-ASSY	1				
43	49085-1051	CAP-ASSY-PRESSURE	1				
44	92002-1682	BOLT,RADIATOR DRAIN	1				
45	11009-1152	GASKET,DRAIN PLUG	1				
46	39062-1002	HOSE,COOLING,RADIATOR	1				
47	92005-1012	FITTING,UPPER HOSE	1				
48	92022-298	WASHER,PLAIN	3				
49	92027-1141	COLLAR,12.7X15.9X12.5	3				
50	92037-1177	CLAMP,HOSE	2				
51	92075-1127	DAMPER,RADIATOR	3				
52	92055-073	"O" RING,13.5MM	1				
53	92066-1028	SENDER,WATER TEMPRATR	1				
54	92072-056	BAND,WIRING HARNESS	1				
55	220B0616	SCREW PAN HEAD 6X16	1				KZ1300-A3
56	461F0600	WASHER SPRING 6MM	1				KZ1300-A3
50-1	92037-1177	CLAMP,HOSE	2				

KZ1300-A3 / REAR BRAKE



Illustrations (c) 1966-2003 Kawasaki Motors Corp., U.S.A. All rights reserved.

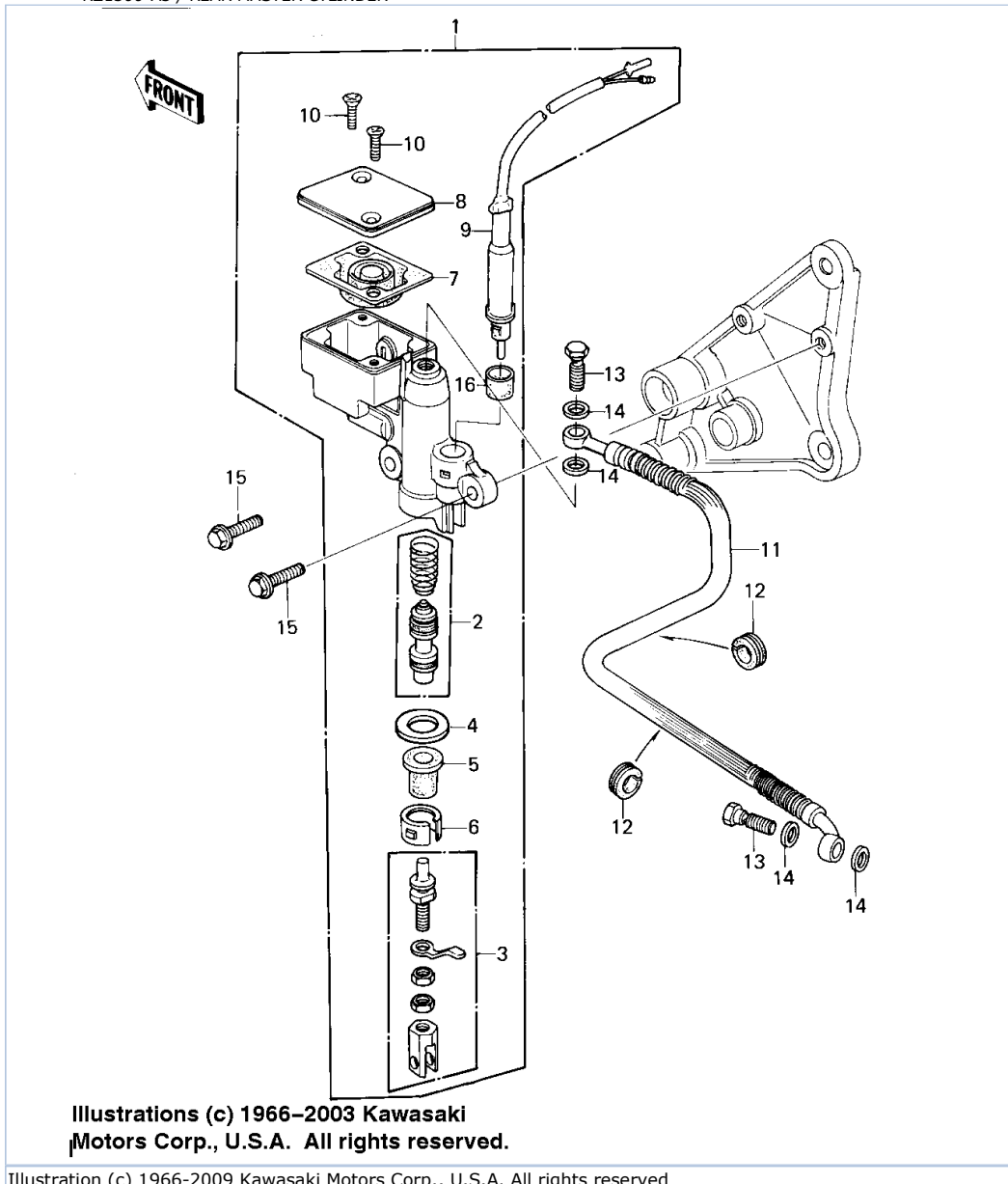
Illustration (c) 1966-2009 Kawasaki Motors Corp., U.S.A. All rights reserved

Part List

KZ1300-A3 / REAR BRAKE

REF NUMBER	PART NUMBER	DESCRIPTION	QUANTITY	US	CA	CN	REMARKS
1	43041-1018	CALIPER ASSY,REAR	1				
2	43049-002	RING,PISTON SEAL	2				
3	43020-1011	PISTON,BRAKE	2				
4	43054-004	DUST SEAL,PISTON	2				
5	43049-1004	RING,SEAL6.5X11.5X2.2	1				
6	92001-1071	BOLT,TIE,10X45	2				
7	43082-1002	PAD SET	1				
8	43045-007	PIN	2				
9	43086-002	SPRING	2				
10	43084-003	CLIP	2				
11	43024-004	CAP	1				
12	43085-001	BLEEDER SET	1				
13	92004-1020	STUD	1				
14	92001-1132	BOLT,REAR CALIPER	1				
15	41080-1124	DISC,RR,SILVER	1				

KZ1300-A3 / REAR MASTER CYLINDER

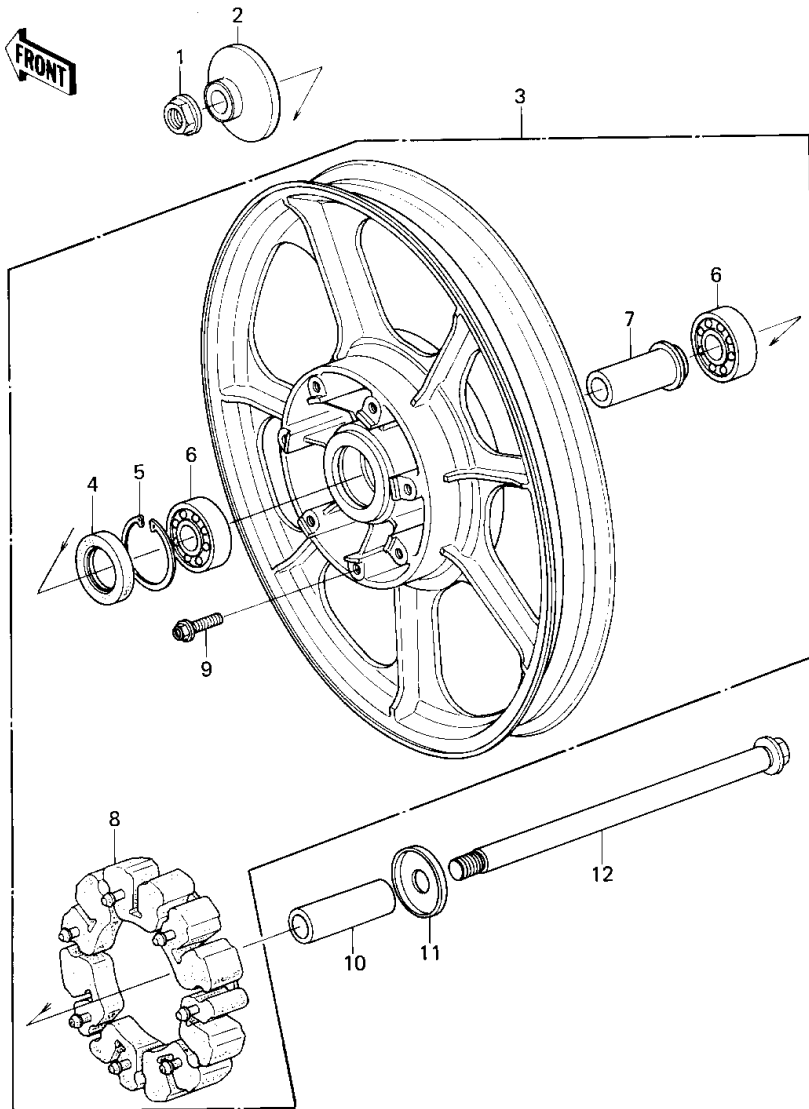


Part List

KZ1300-A3 / REAR MASTER CYLINDER

REF NUMBER	PART NUMBER	DESCRIPTION	QUANTITY	US	CA	CN	REMARKS
1	43015-1062	CYLINDER ASSY,REAR	1				
2	43020-1024	PISTON-COMP-BRAKE	1				
3	43010-1001	ROD ASSY,BRAKE	1				
4	43022-1002	STOPPER,PISTON	1				
5	49016-1026	DUST COVER	1				
6	43022-1003	STOPPER,DUST COVER	1				
7	43028-1007	DIAPHRAGM	1				
8	43026-1013	CAP,OIL CUP	1				
9	27010-1027	SWITCH,REAR BRAKE	1				
10	92001-1055	SCREW,COUNTERSUNK HED	2				
11	43059-1177	HOSE-BRAKE,L=620	1				
12	43064-007	DAMPER RUBBER	2				
13	92002-1888	BOLT,OIL,L=23	2				
14	43067-001	WASHER-OIL BOLT	4				
15	92001-1095	BOLT,8X28	2				
16	92092-1007	BUSHING	1				

KZ1300-A3 / REAR WHEEL/HUB



Illustrations (c) 1966-2003 Kawasaki Motors Corp., U.S.A. All rights reserved.

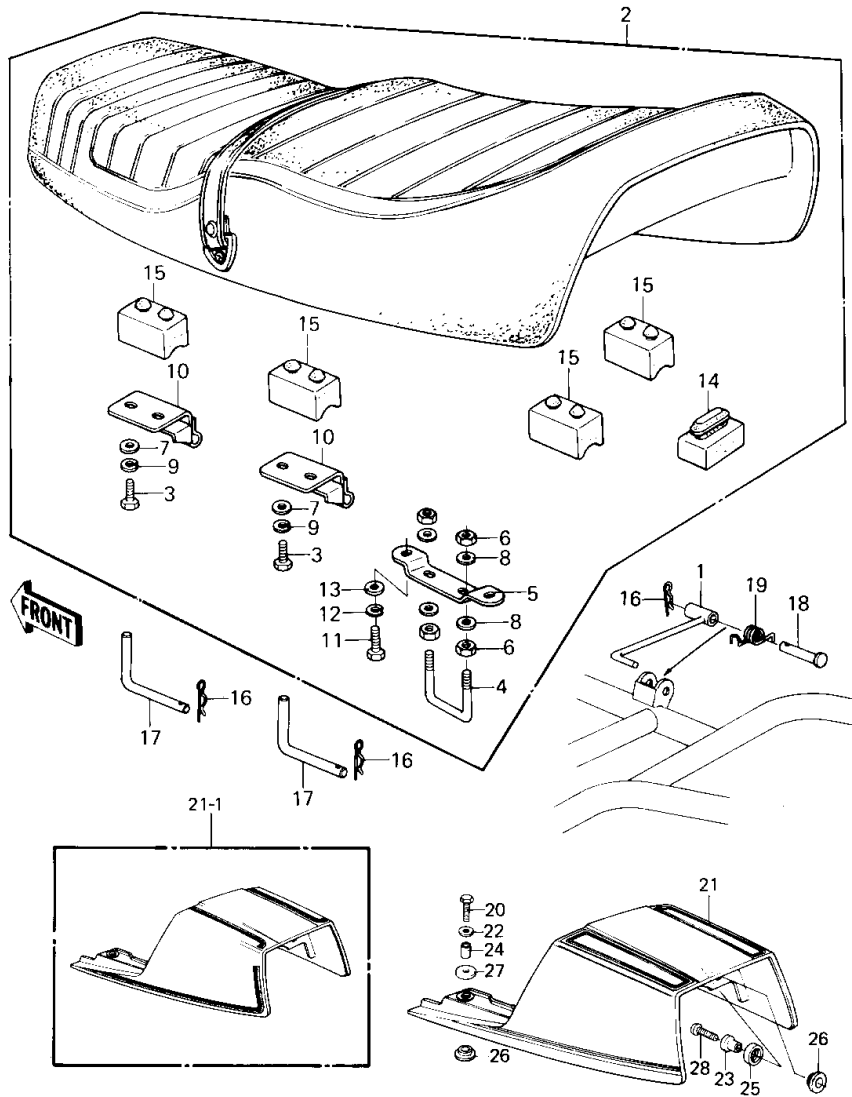
Illustration (c) 1966-2009 Kawasaki Motors Corp., U.S.A. All rights reserved

Part List

KZ1300-A3 / REAR WHEEL/HUB

REF NUMBER	PART NUMBER	DESCRIPTION	QUANTITY	US	CA	CN	REMARKS
1	92015-2186	NUT,FLANGED,18MM	1				
2	92027-1127	COLLAR,FRONT AXLE	1				
3	41073-1024	SOLID WHEEL ASSY,REAR	1				
4	92049-1021	OIL SEAL	1				
5	92033-1043	RING,SNAP,56.2M/M	1				
6	601B6304Z	BALL BEARING,#6304Z	2				
7	92027-1124	COLLAR	1				
8	92075-1098	SHOCK DAMPER,REAR HUB	1				
9	92001-1095	BOLT,8X28	7				
10	92027-1126	COLLAR	1				
11	49016-1019	COVER	1				
12	41068-1017	AXLE,REAR	1				

KZ1300-A3 / SEAT/SEAT COVER



Illustrations (c) 1966-2003 Kawasaki Motors Corp., U.S.A. All rights reserved.

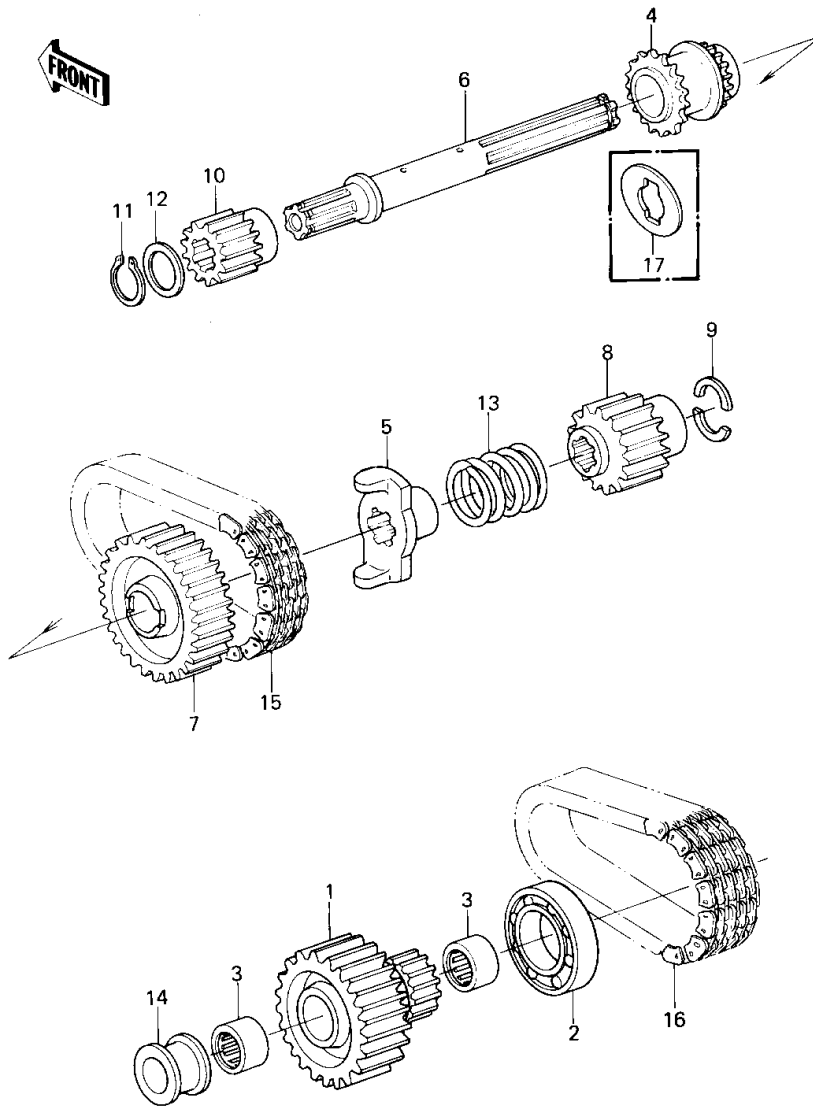
Illustration (c) 1966-2009 Kawasaki Motors Corp., U.S.A. All rights reserved

Part List

KZ1300-A3 / SEAT/SEAT COVER

REF NUMBER	PART NUMBER	DESCRIPTION	QUANTITY	US	CA	CN	REMARKS
1	35011-1018	STAY,SEAT STAND	1				
2	53001-1358	DESC-SEAT-ASSY,DUAL	1				KZ1300-A1/A2, KZ1300-A3
3	112B0614	BOLT-UPSET 6X14	4				
4	53056-002	CATCH, SEAT	1				
5	53058-001	BRACKET, SEAT CATCH	1				
6	311B0600	NUT 6MM	4				
7	411B0600	WASHER PLAIN 6MM	4				
8	411B0600	WASHER PLAIN 6MM	4				
9	461F0600	WASHER SPRING 6MM	4				
10	53009-1011	HINGE,SEAT	2				
11	112B0614	BOLT-UPSET 6X14	2				
12	461F0600	WASHER SPRING 6MM	2				
13	411B0600	WASHER PLAIN 6MM	2				
14	92075-099	DAMPER RUBBER	1				
15	92075-139	DAMPER RUBBER,SEAT	4				
16	92041-003	COTTER PIN	3				
17	92043-1021	PIN,SEAT PIVOT	2				
18	92043-1045	PIN,SEAT STAND	1				
19	92081-1100	SPRING,SEAT STAND	1				
20	112B0622	BOLT 6X22	2				
21	14025-1064-C1	COVER,SEAT,L.S.BLUE	1				KZ1300 A1/A2
22	92022-228	WASHER,PLAIN,7MM	2				
23	92027-1122	COLLAR,SEAT COVER	2				
24	92027-241	COLLAR	2				
25	92075-1097	DAMPER,SEAT COVER FIT	2				
26	92075-174	RUBBER,FENDER COVER	4				
27	92075-175	DAMPER RUBBER	2				
28	220B0625	SCREW PAN HEAD 6X25	2				
21-1	14025-1064-8G	COVER,SEAT,EBONY	1				KZ1300-A3

KZ1300-A3 / SECONDARY SHAFT



Illustrations (c) 1966-2003 Kawasaki Motors Corp., U.S.A. All rights reserved.

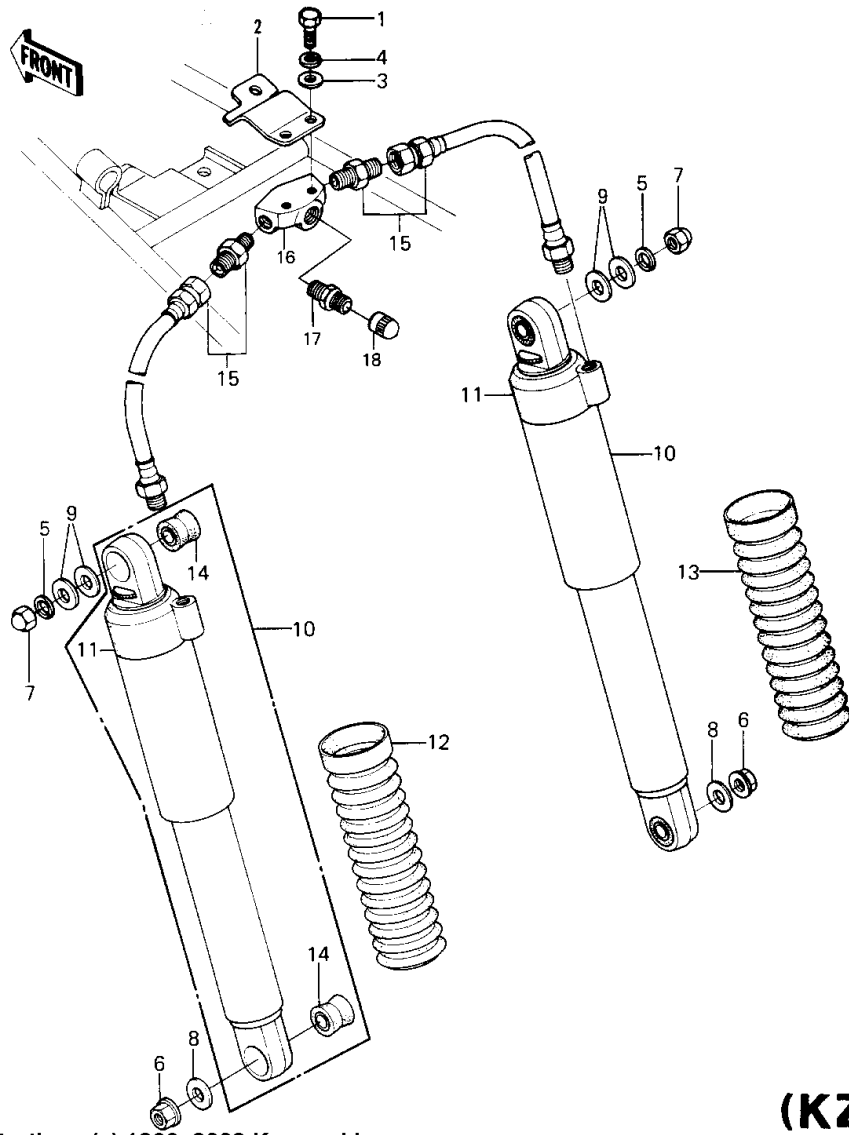
Illustration (c) 1966-2009 Kawasaki Motors Corp., U.S.A. All rights reserved

Part List

KZ1300-A3 / SECONDARY SHAFT

REF NUMBER	PART NUMBER	DESCRIPTION	QUANTITY	US	CA	CN	REMARKS
1	13112-1003	SPROCKET,SECOND,DRVN	1				
2	92045-1015	BEARING,BALL,#6009	1				
3	92046-1014	BEARING,NEEDLE,HK2520	2				
4	12046-1011	SPROCKET,TIMING,28,24	1				
5	13048-1001	FOLLOWER,CAM	1				
6	13107-1007	SHAFT,SECONDARY	1				
7	13112-1001	SPROCKET,PRIMARY,DRVN	1				KZ1300-A1/A2, KZ1300-A3
8	13112-1002	SPROCKET,SECOND,DRIVE	1				
9	14013-1001	RING,POSITON	2				
10	16085-1004	GEAR,OIL PUMP DRIVE	1				
11	480J2500	CIRCLIP,25M/M	1				
12	92022-1109	WASHER,25.3X33X1.0	1				
13	92081-1085	SPRING,CAM FOLLOWER	1				
14	92027-1136	COLLAR,25X40X26.1	1				
15	92057-1016	CHAIN,PRIMARY	1				
16	92057-1017	CHAIN,SECONDARY	1				
17	13169-1327	PLATE,25X54X1.2	1				KZ1300-A3

KZ1300-A3 / SHOCK ABSORBERS (KZ1300-A3)



Illustrations (c) 1966-2003 Kawasaki Motors Corp., U.S.A. All rights reserved.

(KZ

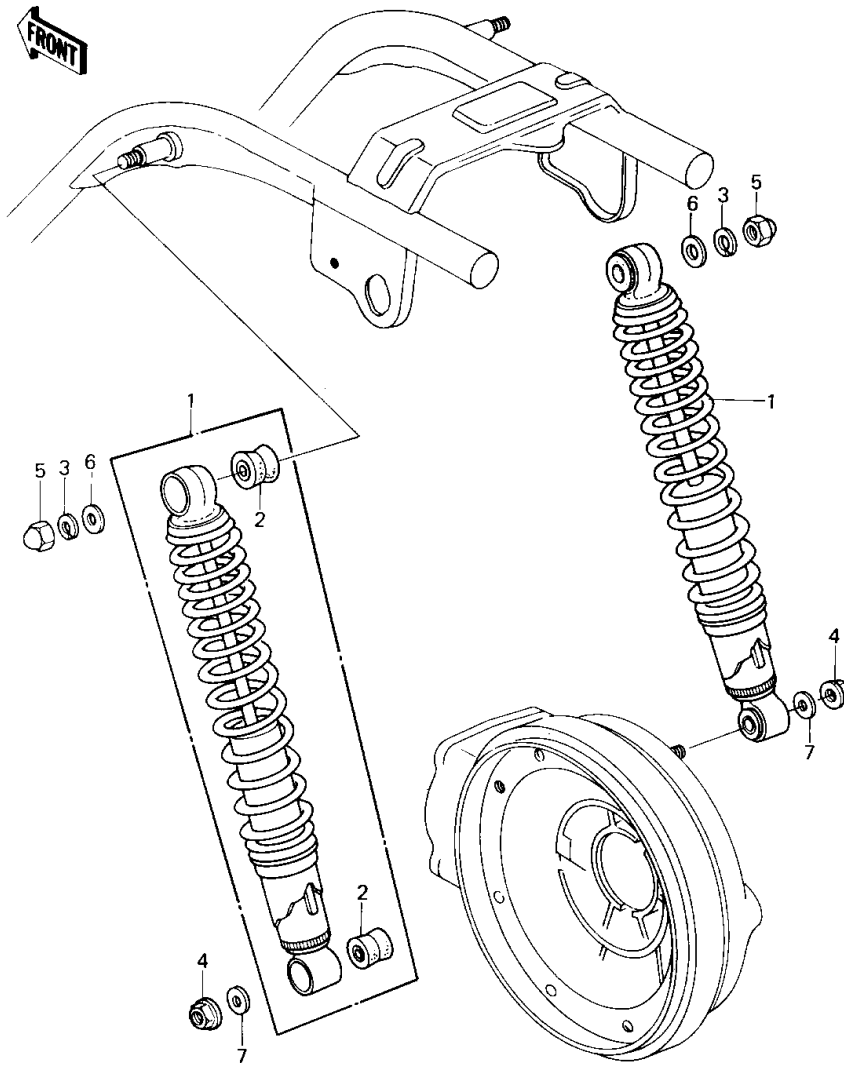
Illustration (c) 1966-2009 Kawasaki Motors Corp., U.S.A. All rights reserved

Part List

KZ1300-A3 / SHOCK ABSORBERS (KZ1300-A3)

REF NUMBER	PART NUMBER	DESCRIPTION	QUANTITY	US	CA	CN	REMARKS
1	112B0614	BOLT-UPSET 6X14	2				
2	32037-1138	BRACKET-SHCKBSRBR,RR	1				
3	410B0600	WASHER PLAIN 6MM	2				
4	461F0600	WASHER SPRING 6MM	2				
5	461F1200	WASHER SPRING 12MM	2				
6	92015-1415	NUT,10MM	2				
7	92020-014	NUT 12MM	2				
8	92022-1193	WASHER,10.5X30X2.3	2				
9	92022-1239	WASHER,12.4X28X2.3	4				
10	92075-1294	SHOCK ABSORBER,REAR	2				
11	14025-1298	COVER,DAMPER,RR	2				
12	49006-1155	BOOT,DAMPER	1				
13	49006-1155	BOOT,DAMPER	1				
14	92075-1141	BUSHING,SHOCK ABSORBE	4				
15	92059-1168	TUBE	2				
16	12023-1012	HOLDER-VALVE,AIR	1				
17	16126-1052	VALVE AIR	1				
18	11012-1241	CAP,AIR VALVE	1				

KZ1300-A3 / SHOCK ABSORBERS (KZ 1300-A1/A2)



(KZ

Illustrations (c) 1966-2003 Kawasaki
Motors Corp., U.S.A. All rights reserved.

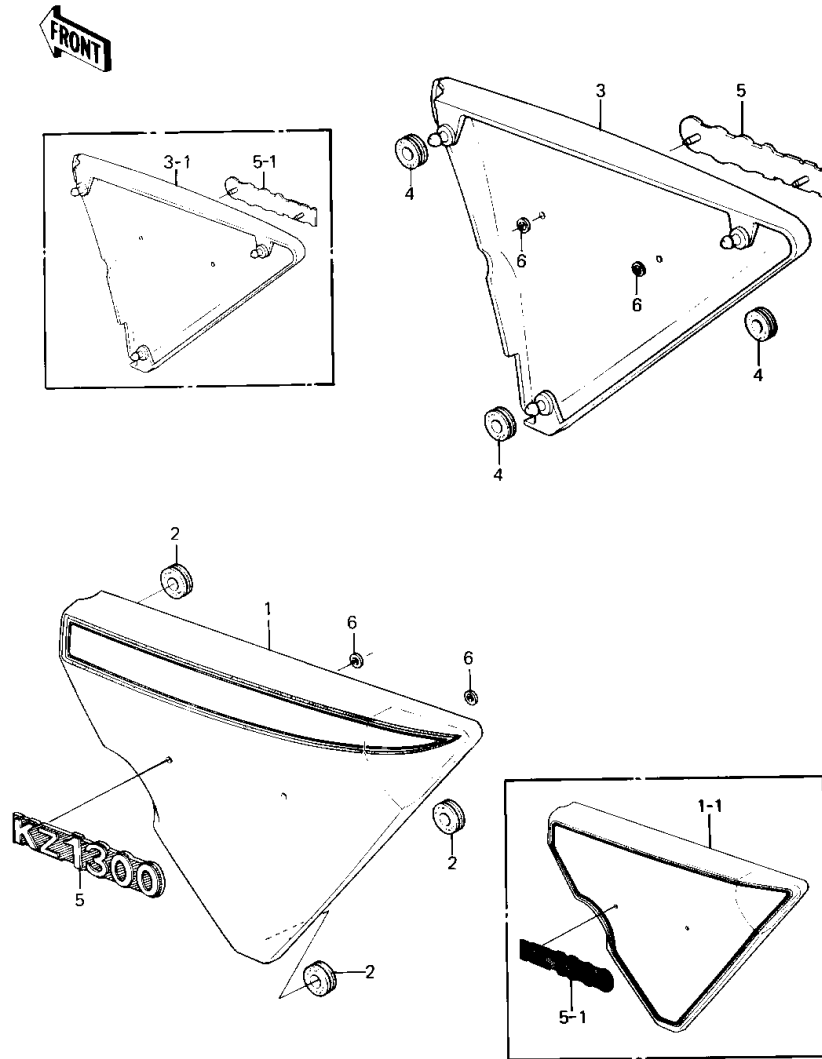
Illustration (c) 1966-2009 Kawasaki Motors Corp., U.S.A. All rights reserved

Part List

KZ1300-A3 / SHOCK ABSORBERS (KZ 1300-A1/A2)

REF NUMBER	PART NUMBER	DESCRIPTION	QUANTITY	US	CA	CN	REMARKS
1	45014-1028	SHOCK ABSBR RR	2				KZ1300-A1, KZ1300-A2
2	92075-1141	BUSHING,SHOCK ABSORBE	4				
3	461F1200	WASHER SPRING 12MM	2				
4	92015-1415	NUT,10MM	2				
5	92020-014	NUT 12MM	2				
6	92022-1075	WASHER PLAIN	2				F.NO.000101- 008688, F/NO.008689-
7	92022-1193	WASHER,10.5X30X2.3	2				F/NO.008349-

KZ1300-A3 / SIDE COVERS



Illustrations (c) 1966-2003 Kawasaki Motors Corp., U.S.A. All rights reserved.

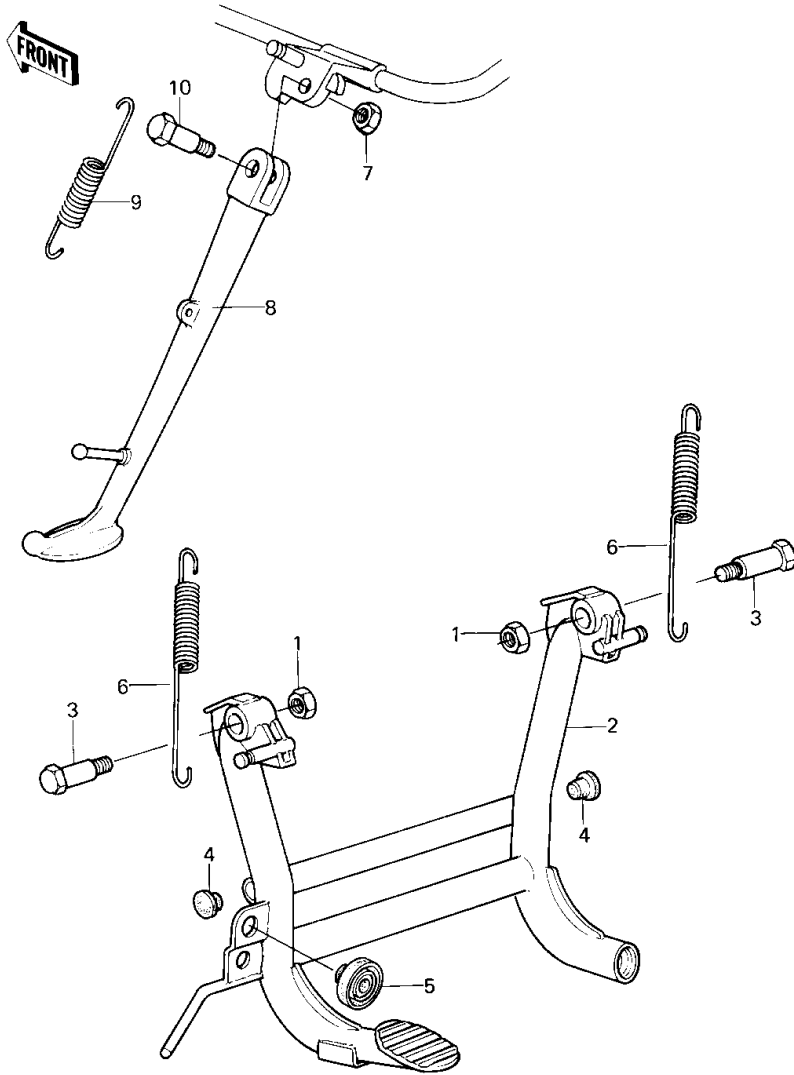
Illustration (c) 1966-2009 Kawasaki Motors Corp., U.S.A. All rights reserved

Part List

KZ1300-A3 / SIDE COVERS

REF NUMBER	PART NUMBER	DESCRIPTION	QUANTITY	US	CA	CN	REMARKS
1	36001-5008-C1	COVER,L.H SIDE,L.S.BL	1				KZ1300-A1/A2
2	92071-056	GROMMET	3				
3	36001-1041-C1	COVER,R.H,SIDE,L.S.B	1				KZ1300-A1/A2
4	92071-056	GROMMET	3				
5	56018-1102	EMBLEM,SIDE COVER	2				KZ1300-A1/A2
6	92018-005	NUT,LOCK,3MM	4				
1-1	36001-5008-8G	COVER-SIDE,LH,EBONY	1				KZ1300-A3
3-1	36001-1041-8G	COVER-SIDE,RH,EBONY	1				KZ1300-A3
5-1	56018-1220	MARK,SIDE COVER	2				KZ1300-A3

KZ1300-A3 / STANDS



Illustrations (c) 1966-2003 Kawasaki Motors Corp., U.S.A. All rights reserved.

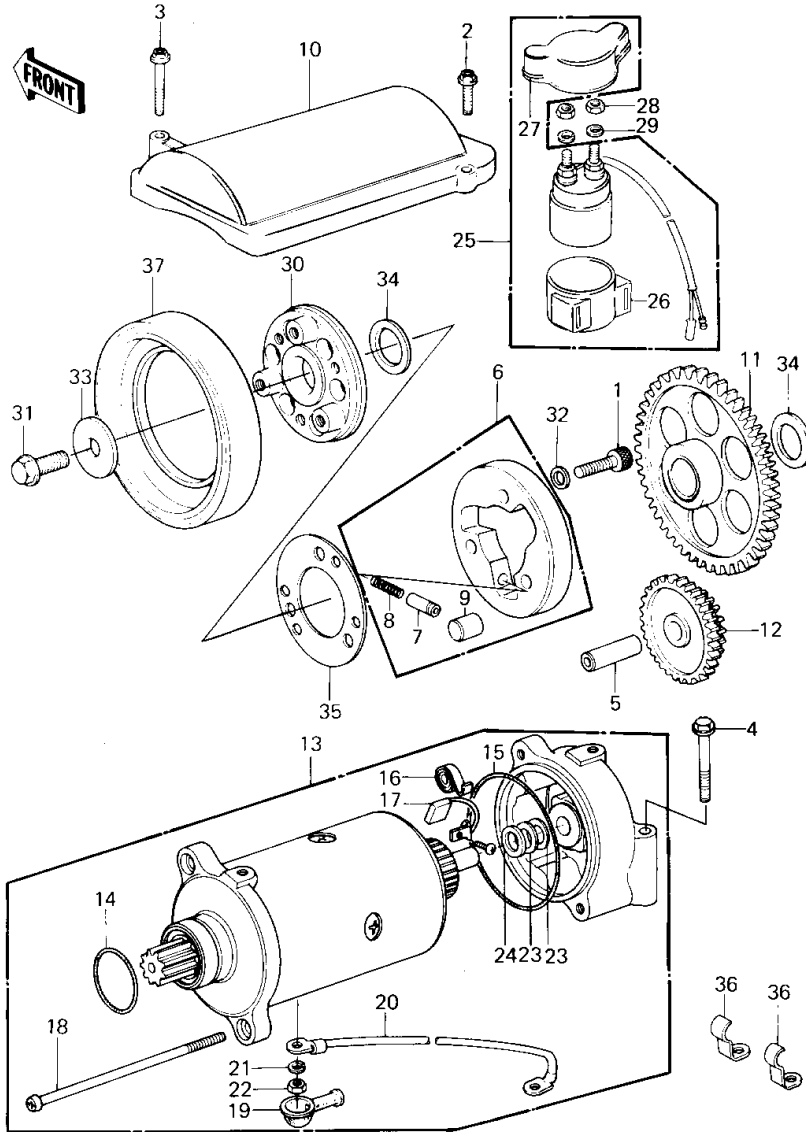
Illustration (c) 1966-2009 Kawasaki Motors Corp., U.S.A. All rights reserved

Part List

KZ1300-A3 / STANDS

REF NUMBER	PART NUMBER	DESCRIPTION	QUANTITY	US	CA	CN	REMARKS
1	92019-021	NUT,LOCK,10MM	2				
2	34011-1021	STAND-MAIN	1				
3	92001-1214	BOLT,MAIN STAND FITTI	2				
4	92066-1034	PLUG,FRAME END	2				
5	92075-015	DAMPER RUBB MAIN STAD	1				
6	92081-1154	SPRING,MAIN STAND	2				
7	92019-021	NUT,LOCK,10MM	1				
8	34024-1023	STAND-SIDE	1				
9	34025-005	SPRING,SIDE STAND	1				
10	92003-079	BOLT-SIDE STAND	1				

KZ1300-A3 / STARTER MOTOR/STARTER CLUTCH (KZ1300-A1/A2)



Illustrations (c) 1966-2003 Kawasaki Motors Corp., U.S.A. All rights reserved.

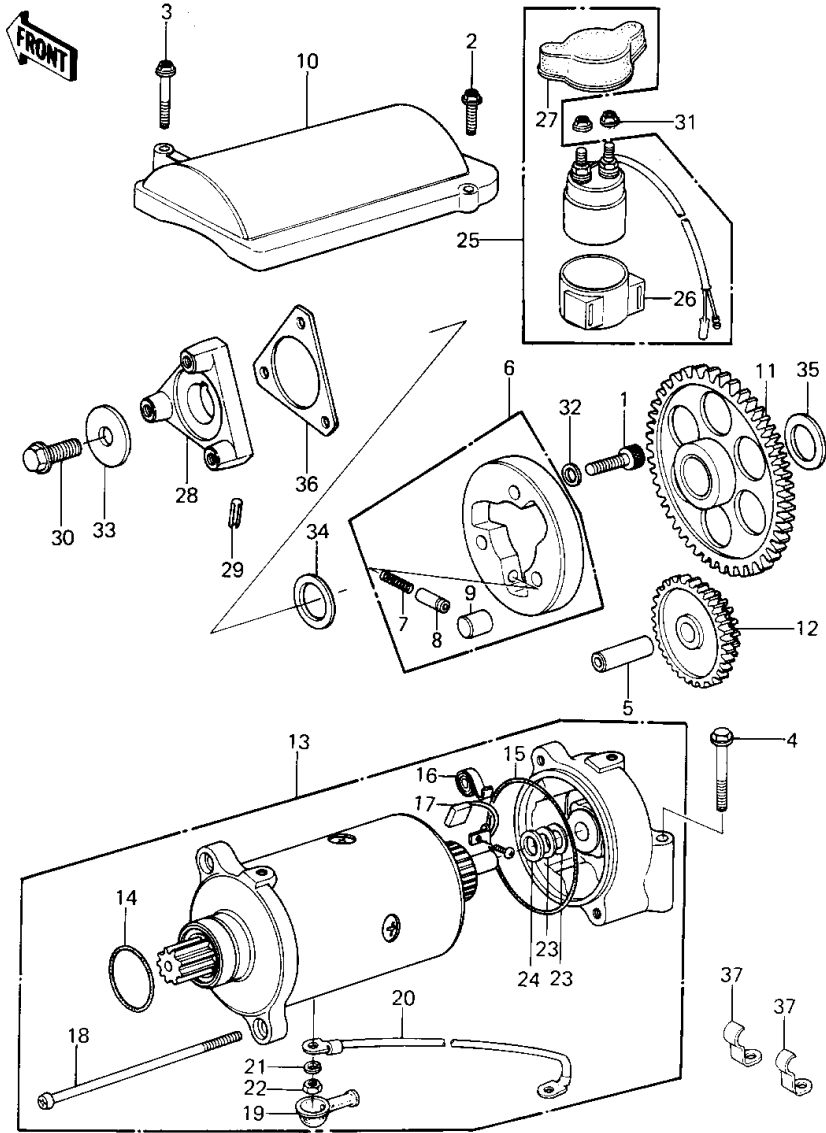
Illustration (c) 1966-2009 Kawasaki Motors Corp., U.S.A. All rights reserved

Part List

KZ1300-A3 / STARTER MOTOR/STARTER CLUTCH (KZ1300-A1/A2)

REF NUMBER	PART NUMBER	DESCRIPTION	QUANTITY	US	CA	CN	REMARKS
1	120P0830	BOLT, SOCKET, 8X30	3				
2	130B0625	BOLT, FLANGED, 6X25	1				
3	130B0640	BOLT, FLANGED, 6X40	1				
4	130G0655	BOLT, FLANGED, 6X55	2				
5	13002-019	PIN-PISTON	2				
6	13193-1012	CLUTCH-ASSY-ONEWAY	1				
7	92043-087	PIN	3				
8	92081-110	SPRING	3				
9	92122-004	ROLLER	3				
10	14025-1752	COVER, STARTER MOTOR	1				
11	16085-1010	GEAR, STARTER CLUTCH	1				
12	16085-1011	GEAR, STARTER REDUCTON	1				
13	21163-1005	MOTOR ASSY, STARTER	1				
14	21027-004	"O" RING, STARTING MTR	1				
15	21027-003	"O" RING, STARTING MTR	2				
16	21040-003	SPRING, CARBON BRUSH	2				
17	21039-003	CARBON BRUSH	2				
18	21015-005	SCREW, PAN HEAD, 6X110	2				
19	21017-017	GROMMET, CORD	1				
20	26011-1054	WIRE, LEAD, STARTER MTR	1				
21	461F0600	WASHER SPRING 6MM	2				
22	312B0600	NUT 6MM	2				
23	21025-011	WASHER, THRUST, 0.2T	AR				
24	21025-010	WASHER, THRUST, 1.6T	1				
25	27010-1025	SWITCH, MAGNETIC	1				
26	21064-002	DAMPER MAG SWITCH SHK	1				
27	14025-1165	COVER, MAGNETIC SWITCH	1				
28	312B0600	NUT 6MM	2				
29	461F0600	WASHER SPRING 6MM	2				
30	49030-1002	HUB, TORSION DAMPER	1				
31	92001-1212	BOLT, DAMPER, L.H. THRED	1				
32	92022-1108	WASHER, PLAIN	3				
33	92022-307	WASHER-PLN, 11X36X4	2				
34	92026-1059	SPACER, 25X34X2.3	2				
35	92026-112	PLATE, CLUTCH STARTER	1				
36	92037-1345	CLAMP, LEAD WIRE	1				
37	92075-1118	DAMPER, TORSION	1				

KZ1300-A3 / STARTER MOTOR/STARTER CLUTCH (KZ1300-A3)



Illustrations (c) 1966-2003 Kawasaki Motors Corp., U.S.A. All rights reserved.

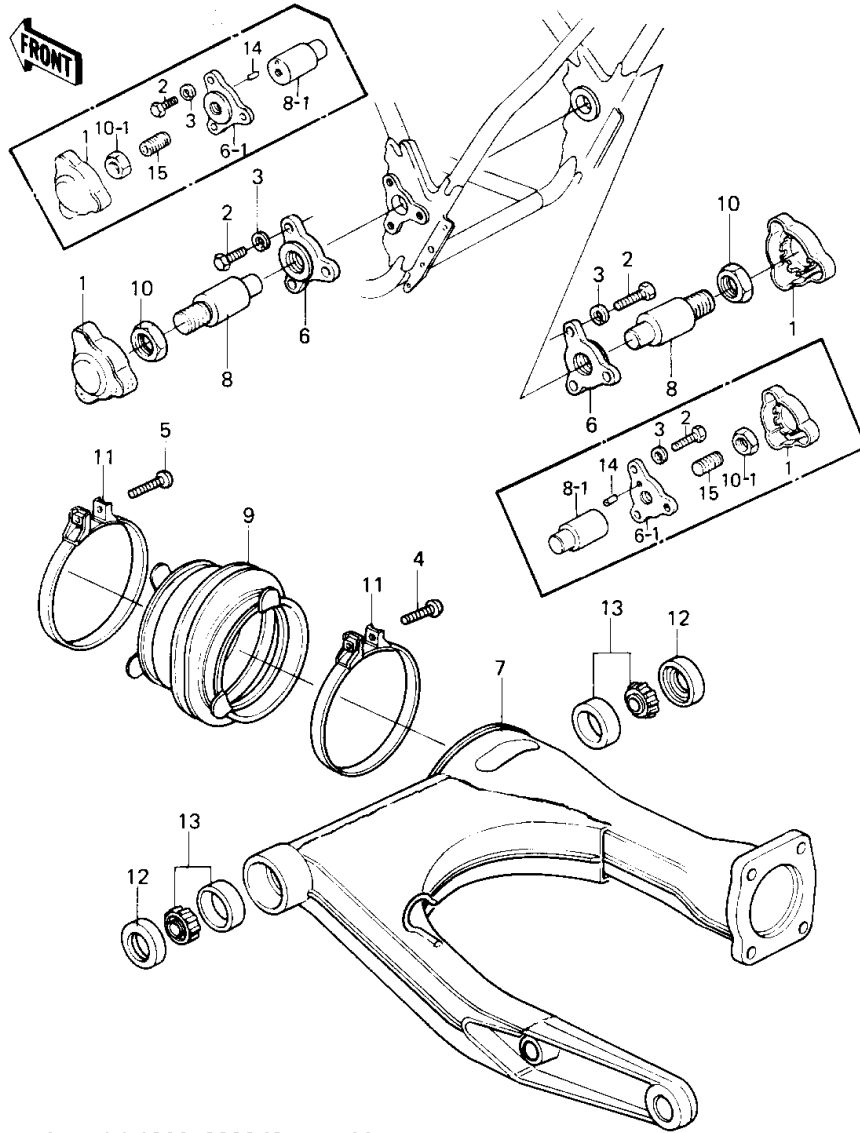
Illustration (c) 1966-2009 Kawasaki Motors Corp., U.S.A. All rights reserved

Part List

KZ1300-A3 / STARTER MOTOR/STARTER CLUTCH (KZ1300-A3)

REF NUMBER	PART NUMBER	DESCRIPTION	QUANTITY	US	CA	CN	REMARKS
1	120P0825	BOLT, SOCKET, 8X25	3				
2	130B0625	BOLT, FLANGED, 6X25	1				
3	130B0640	BOLT, FLANGED, 6X40	1				
4	130G0655	BOLT, FLANGED, 6X55	2				
5	13002-019	PIN-PISTON	1				
6	13193-1012	CLUTCH-ASSY-ONEWAY	1				
7	92043-087	PIN	3				
8	92081-110	SPRING	3				
9	92122-004	ROLLER	3				
10	14025-1752	COVER, STARTER MOTOR	1				
11	16085-1010	GEAR, STARTER CLUTCH	1				
12	16085-1011	GEAR, STARTER REDUCTON	1				
13	21163-1014	STARTER-ELECTRIC	1				
14	21027-004	"O" RING, STARTING MTR	1				
15	21027-003	"O" RING, STARTING MTR	2				
16	21040-003	SPRING, CARBON BRUSH	2				
17	21039-003	CARBON BRUSH	2				
18	21015-005	SCREW, PAN HEAD, 6X110	2				
19	21017-017	GROMMET, CORD	1				
20	26011-1094	WIRE-LEAD, STRTR MOTOR	1				
21	461F0600	WASHER SPRING 6MM	2				
22	312B0600	NUT 6MM	2				
23	21025-011	WASHER, THRUST, 0.2T	AR				
24	21025-010	WASHER, THRUST, 1.6T	1				
25	27010-1025	SWITCH, MAGNETIC	1				
26	21064-002	DAMPER MAG SWITCH SHK	1				
27	14025-1165	COVER, MAGNETIC SWITCH	1				
28	49030-1006	HUB, TORSION DAMPER	1				
29	555A0406	PIN-SPRING, 4X6	1				
30	92001-1425	BOLT, FLANGED, 12X25	1				
31	92015-1078	NUT-6MM	2				
32	92022-1108	WASHER, PLAIN	3				
33	92022-1263	WASHER, PLAIN	1				
34	92025-1019	SHIM, 25.3X36X0.3	1				
35	92026-1059	SPACER, 25X34X2.3	1				
36	92026-1090	SPACER, TORSION DAMPER	1				
37	92037-1345	CLAMP, LEAD WIRE	2				

KZ1300-A3 / SWING ARM



Illustrations (c) 1966-2003 Kawasaki Motors Corp., U.S.A. All rights reserved.

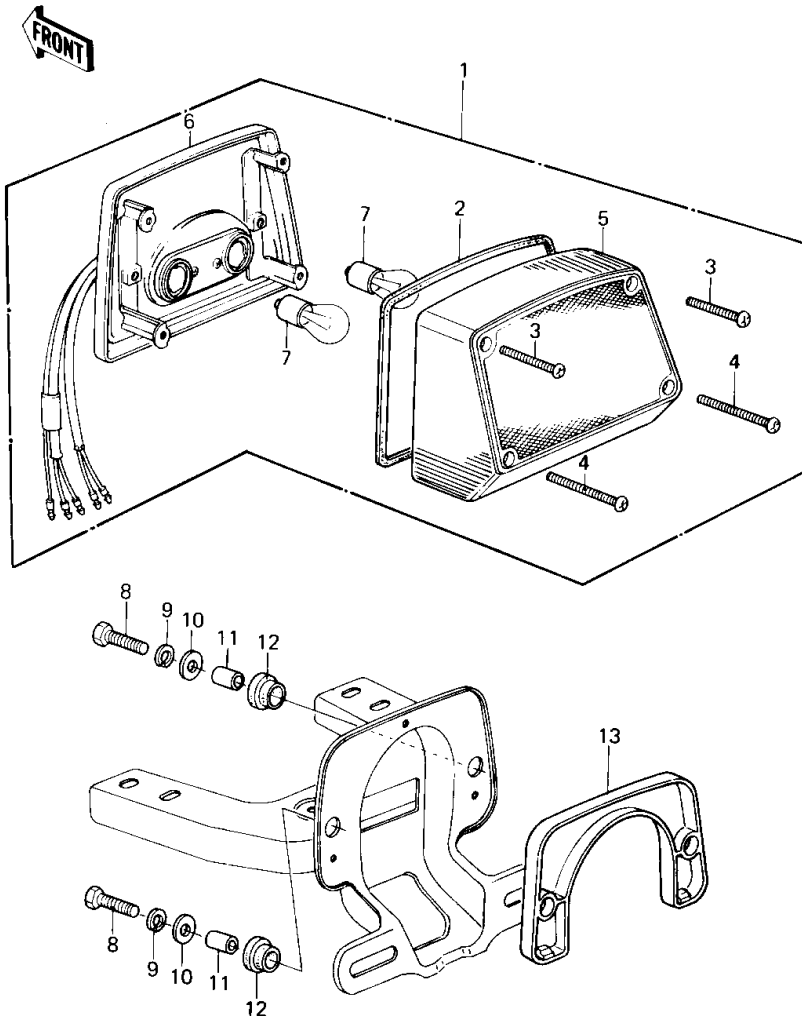
Illustration (c) 1966-2009 Kawasaki Motors Corp., U.S.A. All rights reserved

Part List

KZ1300-A3 / SWING ARM

REF NUMBER	PART NUMBER	DESCRIPTION	QUANTITY	US	CA	CN	REMARKS
1	14025-1087	COVER,SWING ARM	2				
2	114G0822	BOLT,8X22	6				
3	461F0800	WASHER SPRING 8MM	6				
4	220B0420	SCREW-PAN-CROS	1				
5	220B0430	SCREW-PAN-CROS	1				
6	32085-1031	STOPPER,SWING ARM	2				
7	33001-1026	ARM,SWING	1				
8	33032-1006	SHAFT,SWING ARM	2				
9	49006-1020	BOOT,SWING ARM	1				
10	92015-1056	NUT,20M/M	2				
11	92037-1097	CLAMP,SWING ARM BOOT	2				
12	92049-1030	OIL SEAL,26406	2				
13	92116-1001	BRG,ROLLER,4T30203E1	2				
14	555A0314	PIN,SPRING,3X14	2				F.NO.006515-
15	92009-1087	SCREW,14X22	2				F.NO.006515-
6-1	32085-1053	STOPPER,SWING ARM	2				F.NO.006515
8-1	33032-1016	SHAFT,SWING ARM	2				F.NO.006515-
10-1	315B1400	NUT 14MM	2				F.NO.006515-

KZ1300-A3 / TAILLIGHT



Illustrations (c) 1966-2003 Kawasaki
Motors Corp., U.S.A. All rights reserved.

Illustration (c) 1966-2009 Kawasaki Motors Corp., U.S.A. All rights reserved

Part List

KZ1300-A3 / TAILLIGHT

REF NUMBER	PART NUMBER	DESCRIPTION	QUANTITY	US	CA	CN	REMARKS
1	23025-1007	LAMP ASSY,TAIL	1				
2	11009-1098	GASKET,TAIL LAMP LENS	1				
3	220E0445A	SCREW,PAN HEAD,4X45	2				
4	220R0460	SCREW-PAN-CROS	2				
5	23026-1004	LENS,TAIL LAMP	1				
6	23027-1003	BODY,TAIL LAMP	1				
7	92069-059	BULB,12V 32/3CP	2				
8	112G0625	BOLT-UPSET	2				
9	461F0600	WASHER SPRING 6MM	2				
10	92022-125	WASHER 6.5X20X1.6T	2				
11	92027-156	COLLAR 6.8X10X14.5	2				
12	92075-1092	DAMPER RUBBER	2				
13	92075-1111	DAMPER RUBBER,TAIL LP	1				

KZ1300-A3 / TIRES

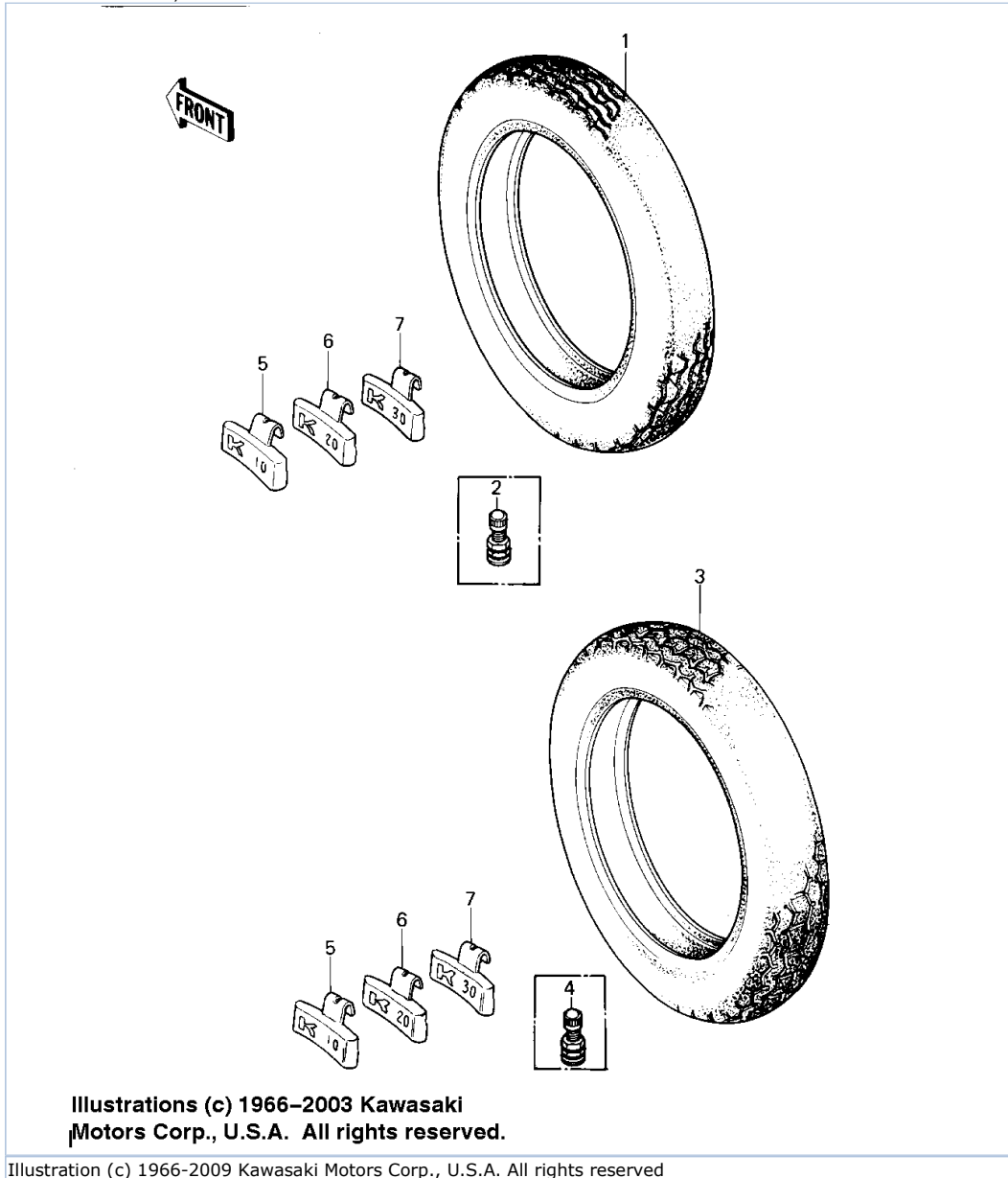


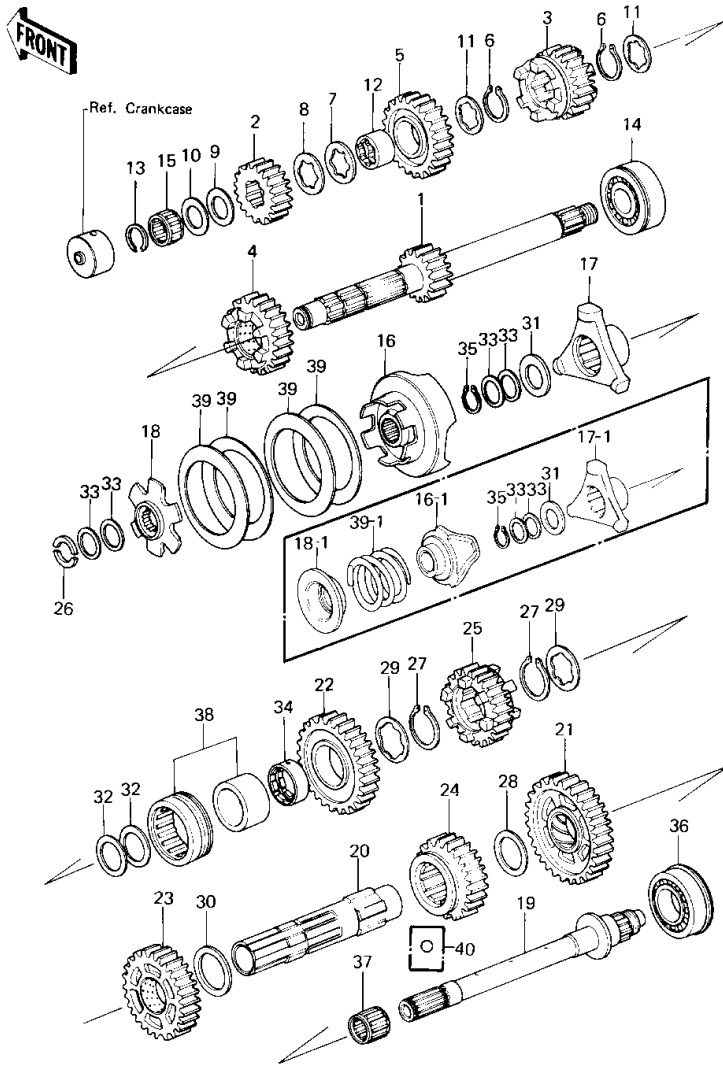
Illustration (c) 1966-2009 Kawasaki Motors Corp., U.S.A. All rights reserved

Part List

KZ1300-A3 / TIRES

REF NUMBER	PART NUMBER	DESCRIPTION	QUANTITY	US	CA	CN	REMARKS
1	41002-1048	TIRE MN90-18 F8 F	1				GOLD SEAL F8 (TUBELESS)
2	16126-1136	VALVE	1				JS-430
3	41002-1049	TIRE MT90-17 K100M R	1				GOLD SEAL K1007 (TUBELESS)
4	16126-1136	VALVE	1				JS-430
5	41075-1011	BALANCER-WHEEL,10G	AR				
6	41075-1012	BALANCER-WHEEL,20G	AR				
7	41075-1013	BALANCER-WHEEL,30G	AR				

KZ1300-A3 / TRANSMISSION



Illustrations (c) 1966-2003 Kawasaki Motors Corp., U.S.A. All rights reserved.

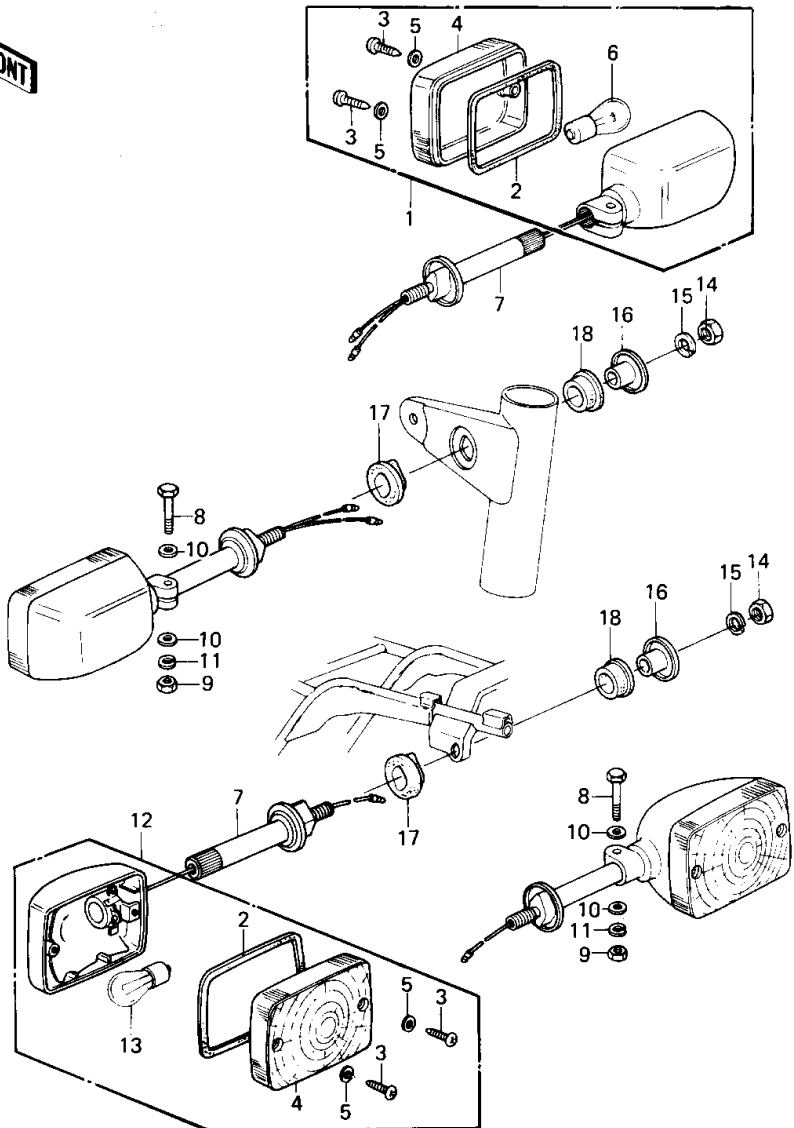
Illustration (c) 1966-2009 Kawasaki Motors Corp., U.S.A. All rights reserved

Part List

KZ1300-A3 / TRANSMISSION

REF NUMBER	PART NUMBER	DESCRIPTION	QUANTITY	US	CA	CN	REMARKS
1	13127-1010	SHAFT,DRIVE	1				
2	13129-1096	2ND GEAR,DRIVE SHAFT	1				
3	13129-1097	3RD GEAR,DRIVE SHAFT	1				KZ1300-AHA2, KZ1300-A3
4	13129-1098	4TH GEAR,DRIVE SHAFT	1				
5	13129-1592	GEAR-INPUT TOP,29T	1				
6	480J2800	CIRCLIP 28MM	2				
7	92022-1098	WASHER,SPLINED,3.0T	1				
8	92022-1099	WASHER,DRIVE TOP GEAR	1				
9	92026-1020	SPACER (I.D=22 O.D=35	1				
10	92022-212	WASHER,PLAIN,22MM	1				
11	92024-042	WASHER,THRUST,26MM	2				
12	92028-1302	BUSHING,INPUT TOP GEA	1				
13	92033-025	CIRCLIP,25MM	1				
14	92045-1028	BEARING,BALL,5305NSH2	1				
15	92046-031	BEARING,PK223013.8	1				
16	13048-1002	CAM,DAMPER	1				KZ1300-A1/A2
17	13048-1003	FOLLOWER,CAM	1				KZ1300-A1/A2
18	13091-1030	HOLDER,SPRING	1				KZ1300A3
19	13128-1016	SHAFT,DRIVEN,INNER	1				
20	13128-1017	SHAFT,DRIVEN,OUTER	1				KZ1300-A1/A2, KZ1300-A3
21	13129-1100	LOW GEAR,DRIVEN SHAFT	1				KZ1300-A1/A2, KZ1300 A3
22	13129-1101	2ND GEAR,DRIVEN SHAFT	1				
23	13129-1102	3RD GEAR,DRIVEN SHAFT	1				
24	13129-1103	4TH GEAR,DRIVEN SHAFT	1				KZ1300-A1/A2, KZ1300-A3
25	13129-1104	TOP GEAR,DRIVEN SHAFT	1				KZ1300-A1/A2, KZ1300-A3
26	14013-1001	RING,POSITON	2				
27	480J3600	CIRCLIP,36M/M	2				
28	92022-1100	WASHER,34.3X44X1.0	1				
29	92022-1101	WASHER,SPLINED,1.0T	2				
30	92022-1102	WASHER,36.3X46X2.0	1				
31	92022-1103	WASHER,23.2X38X3.0	1				
32	92025-1002	SHIM,34.3X42X0.1	AR				
33	92025-1004	SHIM,23.3X30.7X0.1	AR				
34	92028-1303	BUSHING,OUTPUT 2ND GE	1				
35	92033-1021	CIRCLIP,22.8M/M	1				
36	92045-1018	BEARING,BALL,#3206	1				
37	92046-1015	BEARING,N,K23X28X24	1				
38	92046-1119	BEARING-NEEDLE	1				
39	92081-1089	SPRING,DAMPER	4				KZ1300-A1/A2
40	600A0500	BALL STEEL 5/32'	4				KZ1300-A3
16-1	13048-1011	CAM-DAMPER	1				KZ1300-A1/A2
17-1	13048-1010	CAM-DAMPER	1				KZ1300-A3
18-1	13091-1091	HOLDER,SPRING	1				KZ1300-A3
39-1	92081-1286	SPRING,DAMPER	1				KZ1300-A3

KZ1300-A3 / TURN SIGNALS



Illustrations (c) 1966-2003 Kawasaki
Motors Corp., U.S.A. All rights reserved.

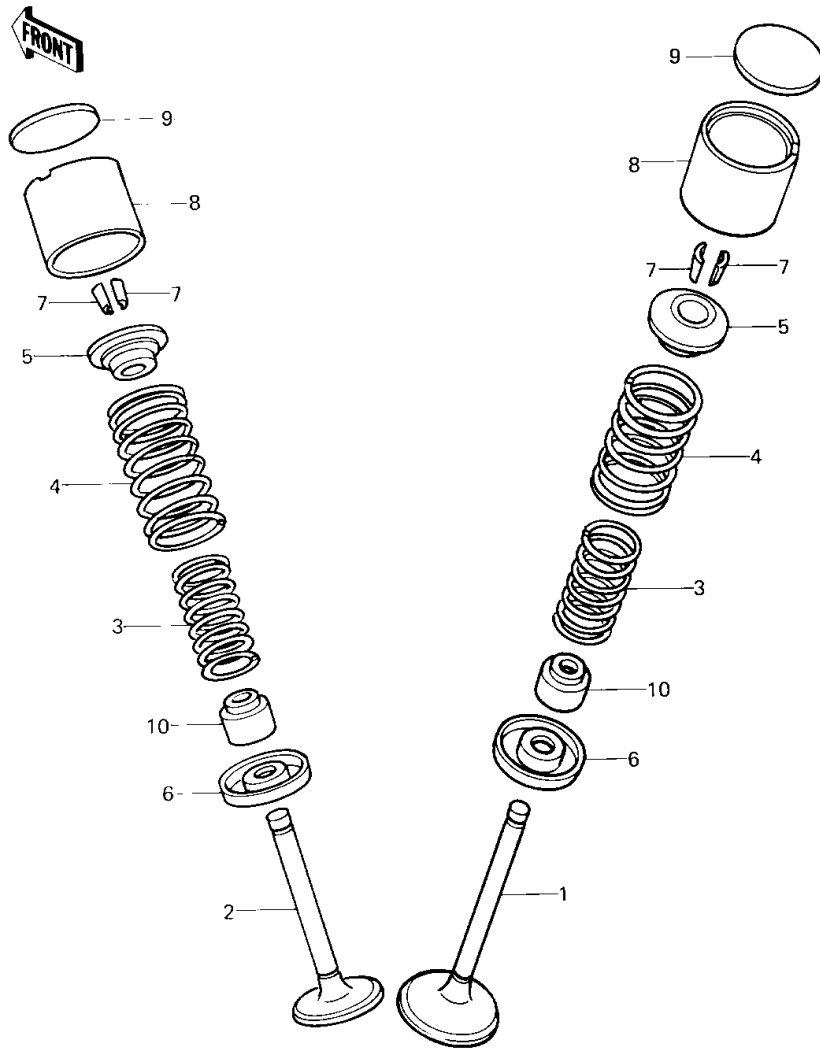
Illustration (c) 1966-2009 Kawasaki Motors Corp., U.S.A. All rights reserved

Part List

KZ1300-A3 / TURN SIGNALS

REF NUMBER	PART NUMBER	DESCRIPTION	QUANTITY	US	CA	CN	REMARKS
1	23040-1021	LAMP ASSY,TURN SIGNAL	2				FRONT
2	11009-1102	GASKET,TURN SIGNAL	4				
3	220E0416A	SCREW,PAN HEAD,4X16	8				
4	23048-1020	LENS SIGNAL LAMP FR	4				
5	23058-002	WASHER-PLAIN,4MM	8				
6	92069-060	BULB,12V 23/8W	2				FRONT
7	23051-1023	BRACKET,TURN SIGNAL	4				
8	112G0630	BOLT-UPSET	4				
9	311B0600	NUT 6MM	4				
10	411B0600	WASHER PLAIN 6MM	8				
11	461F0600	WASHER SPRING 6MM	4				
12	23040-1022	LAMP,ASSY,TURN SIGNAL	2				REAR
13	92069-055	BULB 12V 32CP	2				REAR
15	461F1000	WASHER SPRING 10MM	4				
16	92027-147	COLLAR	4				
17	92075-128	DAMPER RUBBER	4				
18	92075-158	DAMPER RUBBER,SIG LM	4				

KZ1300-A3 / VALVES



Illustrations (c) 1966-2003 Kawasaki Motors Corp., U.S.A. All rights reserved.

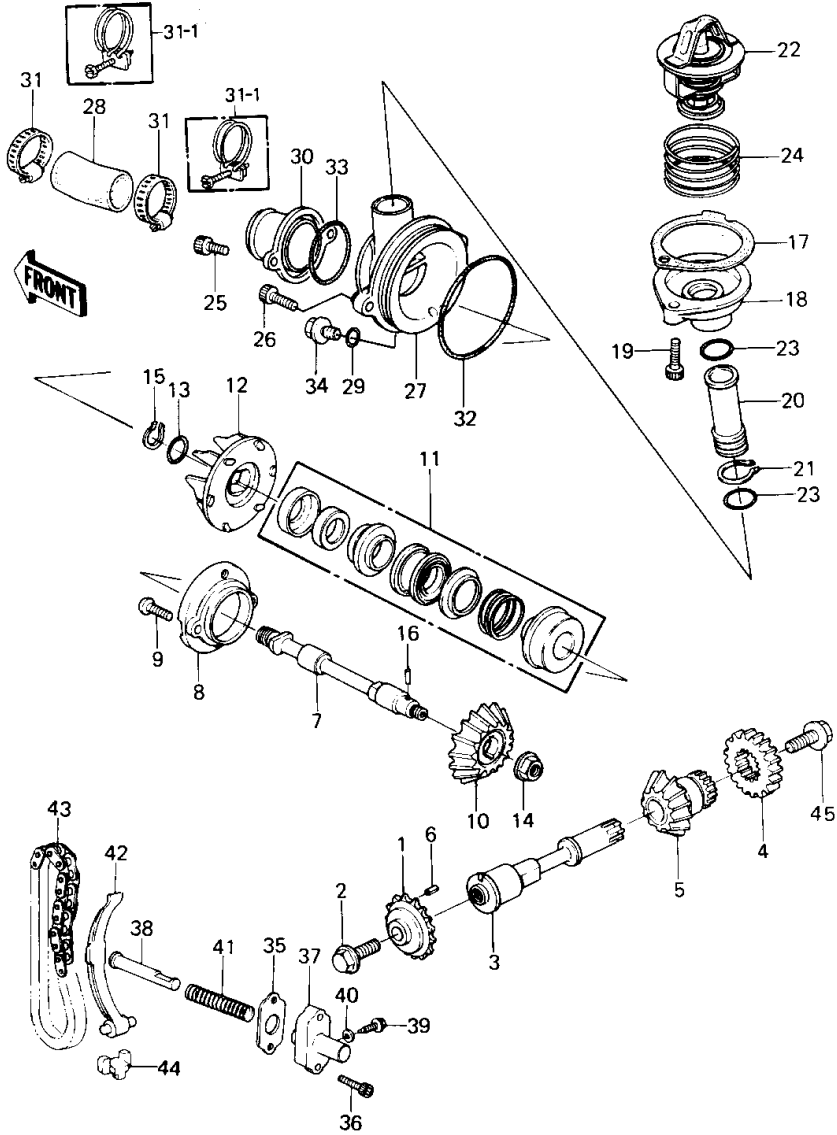
Illustration (c) 1966-2009 Kawasaki Motors Corp., U.S.A. All rights reserved

Part List

KZ1300-A3 / VALVES

REF NUMBER	PART NUMBER	DESCRIPTION	QUANTITY	US	CA	CN	REMARKS
1	12004-1004	VALVE,INTAKE	6				
2	12005-1004	VALVE,EXHAUST	6				
3	12007-011	SPRING,INNER VALVE	12				
4	12007-012	SPRING,OUTER VALVE	12				
5	12009-005	RETAINER,VALVE SPRING	12				
6	16007-1024	SEAT-SPRING,VALVE	12				
7	12011-004	SPLIT KEEPER	24				
8	12032-005	TAPPET	12				
9	12037-001	SHIM,TAPPET,2.00T	AR				
10	92049-016	OIL SEAL,RV37129.5	12				

KZ1300-A3 / WATER PUMP



Illustrations (c) 1966-2003 Kawasaki Motors Corp., U.S.A. All rights reserved.

Illustration (c) 1966-2009 Kawasaki Motors Corp., U.S.A. All rights reserved

Part List

KZ1300-A3 / WATER PUMP

REF NUMBER	PART NUMBER	DESCRIPTION	QUANTITY	US	CA	CN	REMARKS
1	12046-1015	SPROCKET,TIMING CHAIN	1				
2	130G0820	BOLT,FLANGED,8X20	1				
3	13107-1009	SHAFT,WATER PUMP DRIV	1				
4	13216-1010	GEAR,21T,TIMING	1				
5	49022-1005	GEAR,BEVEL,WATER PUMP	1				KZ1300-A1/A2, KZ1300-A3
6	555A0408	PIN-SPRING,4X8	1				
7	13107-1011	SHAFT,WATER PUMP	1				
8	14020-1004	RETAINER,MECHA SEAL	1				
9	220R0516	SCREW-PAN-CROS	2				
10	49022-1006	GEAR,BEVEL,WATER PUMP	1				
11	49063-1001	SEAL,MECHANICAL	1				
12	59256-1001	IMPELLER,WATER PUMP	1				
13	670B1508	"O" RING,8MM	1				
14	92015-1014	NUT,8M/M	1				
15	92033-1024	CIRCLIP,11M/M,IMPELER	1				
16	92042-014	PIN GEAR CHANGE DRUM	1				
17	11009-1087	GASKET,THERMOSTAT CAP	1				
18	11012-1054	CAP,THERMOSTAT	1				
19	120P0625	BOLT,6X25	2				
20	32032-1184	PIPE,WATER BYPASS	1				
21	480J2000	CIRCLIP, 20MM	1				
22	49054-1001	THERMOSTAT	1				
23	670B2016	"O" RING,16MM	2				
24	92081-1104	SPRING,THERMOSTAT	1				
25	120P0616	BOLT,SOCKET,6X16	2				
26	120P0620	BOLT,6X20	2				
27	14025-1077	COVER,WATER PUMP	1				
28	39062-1020	HOSE-COOLING	1				
29	670B1508	"O" RING,8MM	1				
30	92005-1011	FITTING,SUCTION	1				
31	92037-1177	CLAMP,HOSE	2				
32	92055-1032	"O" RING,67MM	1				
33	92055-1033	"O" RING,OR2037	1				
34	92066-1026	PLUG,DRAIN,8X10	1				
35	11009-1099	GASKET,TIMING TENSIONR	1				
36	120P0625	BOLT,6X25	2				
37	12049-1007	TENSIONER,TIMING CHAN	1				
38	13116-1014	ROD,PUSH,TENSIONER	1				
39	92001-1155	BELT,TENSIONER ADJUST	1				
40	92022-077	WASHER OIL PUMP BANJO	1				
41	92081-1102	SPRING,TENSIONER	1				
42	12053-1027	GUIDE,CHAIN,TIMING	1				
43	92057-1019	CHAIN,TIMING,72L	1				
44	92075-1187	DAMPER,TIMING CHAIN	1				
45	130G0820	BOLT,FLANGED,8X20	1				KZ1300A1/A2, KZ1300-A3
31-1	92037-1177	CLAMP,HOSE	2				

Illustration (c) 1966-2009 Kawasaki Motors Corp., U.S.A. All rights reserved